

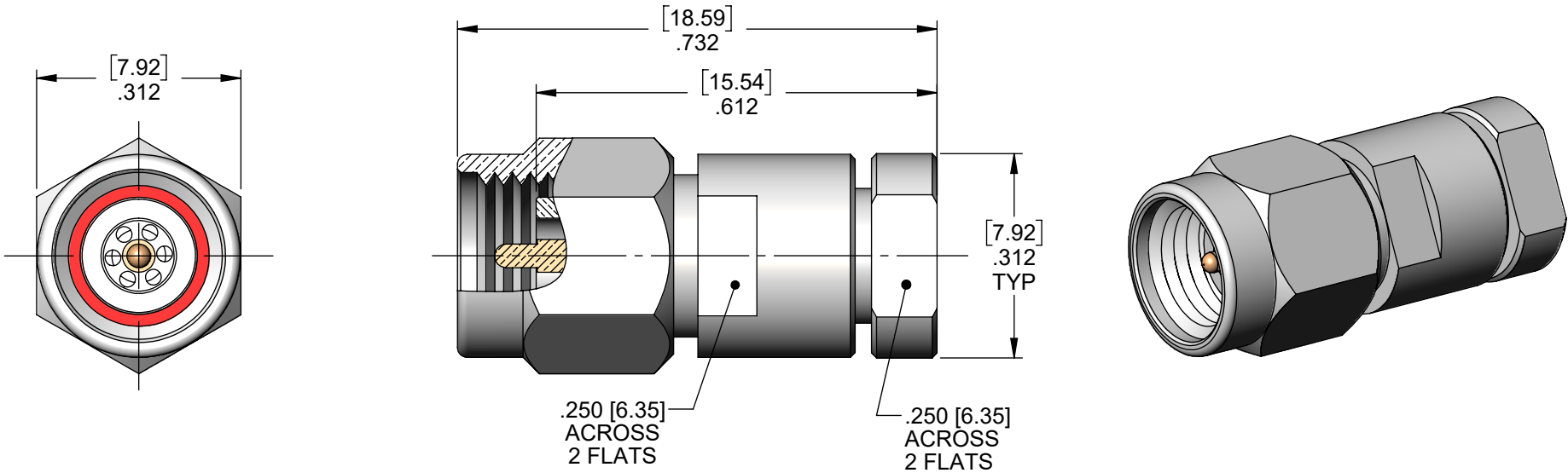
MATERIAL/FINISH PROPERTIES

MATERIAL PROPERTIES:
 BODY, SLEEVE, NUT: STAINLESS STEEL PER ASTM A582 OR EQUIVALENT
 CONTACT: BERYLLIUM COPPER PER ASTM B196 OR EQUIVALENT
 INSULATOR: PCTFE (KEL-F), COLOR: NATURAL PER ASTM-D-1430

PLATING PROPERTIES:
 BODY, SLEEVE, NUT: PASSIVATE PER QQ-P-35, TYPE II
 CONTACT: .000030 MIN. GOLD PER MIL-G-45204 OVER
 .000050 MIN. NICKEL PER QQ-N-290

MECHANICAL/ELECTRICAL PROPERTIES

CONNECTOR MEETS: MIL-STD-348 FIG. 323-1, MIL-PRF-39012
 CONNECTOR MEETS: RoHS 2015/863/EU STANDARDS
 CONNECTOR DURABILITY: 500 CYCLES MIN.
 CABLE: RG405, Ø.086 NIOBIUM TITANIUM OR EQUIVALENT
 ASSEMBLY INSTRUCTIONS: AI549
 IMPEDANCE: 50 OHMS NOMINAL
 FREQUENCY RANGE: DC-40 GHz
 INSULATION RESISTANCE: 5,000 MEGOHMS MIN.
 VOLTAGE RATING: 335 VRMS
 THERMAL SHOCK: MIL-STD-202, METHOD 107



A	ECN 1182	SEM	06/28/24
REV	DESCRIPTION	APPR	DATE

BROWNING ELECTRONICS
RF CONNECTOR SOLUTIONS

UNLESS OTHERWISE SPECIFIED
 ALL DIMENSIONS ARE REFERENCE
 X.XXX DIM'S = INCHES * [X.XX] DIM'S = MILLIMETERS
 SURFACE FINISH: 63 MICRO MAX.
 ALL DIAMETERS TO BE CONCENTRIC WITHIN .005 F.I.M.

TITLE: 2.92 STRAIGHT CABLED SOLDERLESS PLUG			
MATERIAL & FINISH: PER TABLE ABOVE			
DRAWN BY: TLB	CHECK BY: TLL	APPR. BY: SEM	
DATE: 06/28/24	DATE: 06/28/24	DATE: 06/28/24	
DO NOT SCALE DWG		SCALE 4:1	SIZE A
SALES DRAWING		PART NO. 69P-1NN-603-00P	SHEET 1 OF 1