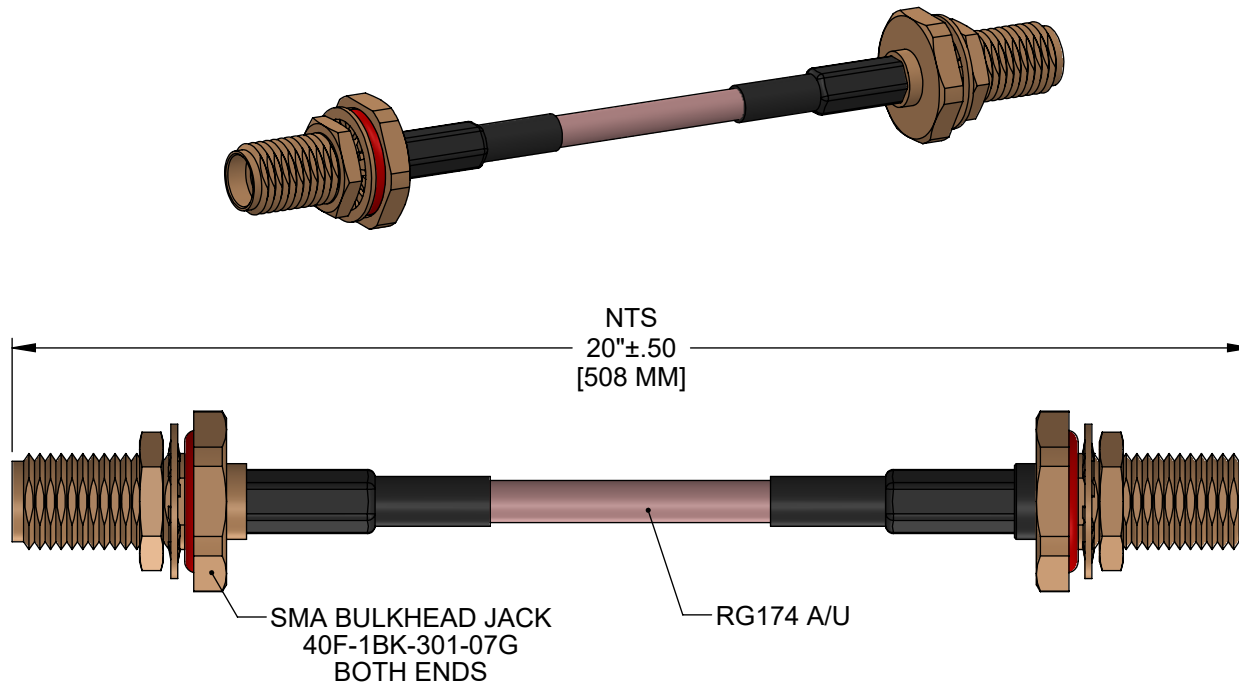


MATERIAL/FINISH PROPERTIES	MECHANICAL/ELECTRICAL PROPERTIES
<p>MATERIAL PROPERTIES: BODIES: BRASS PER ASTM B16 OR EQUIVALENT CONTACT (JACK): BERYLLIUM COPPER PER ASTM B196 OR EQUIVALENT</p> <p>INSULATORS: PTFE PER ASTM D1710 OR EQUIVALENT</p> <p>PLATING PROPERTIES: BODIES (JACK): .000010 MIN. GOLD PER MIL-G-45204 OVER .000050 MIN. NICKEL PER QQ-N-290 CONTACTS: .000030 MIN. GOLD PER MIL-G-45204 OVER .000050 MIN. NICKEL PER QQ-N-290</p>	<p>CONNECTORS MEET MIL-STD-348, MIL-PRF-39012 ASSEMBLY MEETS: RoHS 2015/863/EU STANDARDS CONNECTOR DURABILITY: 250 CYCLES MIN. MOUNTING: PER ES117-BK300 PANEL THICKNESS: .187 [4.7] MAX. CABLE: RG174 OR EQUIVALENT IMPEDANCE: 50 OHMS NOMINAL FREQUENCY RANGE: DC-18 GHz VOLTAGE RATING: 335 VRMS INSULATION RESISTANCE: 5,000 MEGOHMS DIELECTRIC WITHSTANDING VOLTAGE: 1,500 VRMS</p>



A	ECN 1075	JJM	04/27/23
REV	DESCRIPTION	APPR	DATE

BROWNING ELECTRONICS
RF CONNECTOR SOLUTIONS

UNLESS OTHERWISE SPECIFIED

DIM'S ARE IN INCHES * (.XXX) = REF. DIM. * ANGLES: ±2°
 TOLERANCES: .XX = ±.010 * .XXX = ±.002 * .XXXX = ±.001
 ALL DIAMETERS TO BE CONCENTRIC WITHIN .003 F.I.M.
 SURFACE FINISH: 63 MICRO. MAX. * NO BURRS ALLOWED
 CHAMFER 1ST THREAD 45° * BREAK ALL EDGES .003 MAX.

TITLE: SMA SEALED STRAIGHT BULKHEAD MOUNT JACK TO SMA STRAIGHT BULKHEAD MOUNT JACK CABLE ASSEMBLY			
MATERIAL & FINISH: PER TABLE ABOVE			
DRAWN BY: TLB	CHECK BY: TLL	APPR. BY: JJM	
DATE: 04/27/23	DATE: 04/27/23	DATE: 04/27/23	
DO NOT SCALE DWG	SCALE 2:1	SIZE A	REV A
SALES DRAWING	PART NO. C300-01-00G		SHEET 1 OF 1

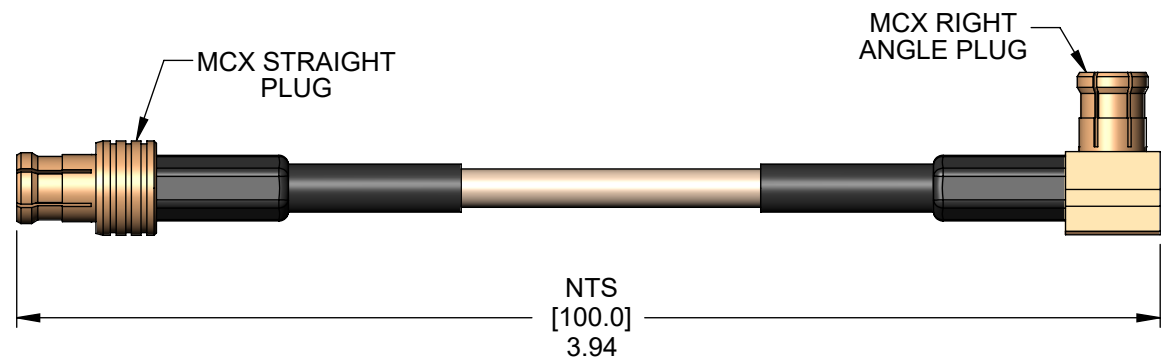
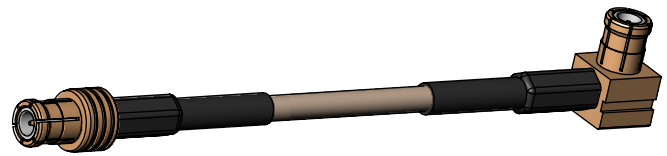
MATERIAL/FINISH PROPERTIES

MATERIAL PROPERTIES:
 BODIES: BRASS PER ASTM B16 OR EQUIVALENT
 OUTER CONTACTS: BERYLLIUM COPPER PER ASTM B196 OR EQUIVALENT
 CENTER CONTACTS: BRASS PER ASTM B16 OR EQUIVALENT
 INSULATORS: PTFE PER ASTM D1710 OR EQUIVALENT

PLATING PROPERTIES:
 BODIES: .000010 MIN. GOLD PER MIL-G-45204 OVER
 .000050 MIN. NICKEL PER QQ-N-290
 CENTER CONTACTS: .000030 MIN. GOLD PER MIL-G-45204 OVER
 .000050 MIN. NICKEL PER QQ-N-290

MECHANICAL/ELECTRICAL PROPERTIES

CONNECTORS MEET: CECC 22 220, FIG. 2.1.1
 ASSEMBLY MEETS: RoHS 2015/863/EU STANDARDS
 CONNECTOR DURABILITY: 500 CYCLES MIN.
 CABLE: RG178 OR EQUIVALENT
 IMPEDANCE: 50 OHMS NOMINAL
 FREQUENCY RANGE: DC-6 GHz
 VOLTAGE RATING: 170 VRMS
 INSULATION RESISTANCE: 1,000 MEGOHMS
 DIELECTRIC WITHSTANDING VOLTAGE: 500 VRMS
 TEMPERATURE RATING: -55°C TO +115°C



A	ECN 1030	JJM	03/13/23
REV	DESCRIPTION	APPR	DATE

BROWNING ELECTRONICS
RF CONNECTOR SOLUTIONS

UNLESS OTHERWISE SPECIFIED
 ALL DIMENSIONS ARE REFERENCE
 X.XXX DIM'S = INCHES * [X.XX] DIM'S = MILLIMETERS
 SURFACE FINISH: 63 MICRO MAX.
 ALL DIAMETERS TO BE CONCENTRIC WITHIN .005 F.I.M.

TITLE: MCX STRAIGHT PLUG TO MCX RIGHT ANGLE PLUG CABLE ASSEMBLY

MATERIAL & FINISH: PER TABLE ABOVE

DRAWN BY: TLB	CHECK BY: TLL	APPR. BY: JJM
DATE: 03/13/23	DATE: 03/13/23	DATE: 03/13/23

DO NOT SCALE DWG	SCALE 2.5:1	SIZE A	REV A
-------------------------	-----------------------	------------------	-----------------

SALES DRAWING	PART NO. C315-06-01G	SHEET 1 OF 1
----------------------	--------------------------------	------------------------

MATERIAL/FINISH PROPERTIES (BNC CONNECTOR)

MATERIAL PROPERTIES:
 BODY/SLEEVE: BRASS PER ASTM B16 OR EQUIVALENT
 CONTACT: BRASS PER ASTM B16 OR EQUIVALENT
 INSULATOR: PTFE PER ASTM D1710 OR EQUIVALENT
 GASKET: SILICONE RUBBER PER AA59588 OR EQUIVALENT

PLATING PROPERTIES:
 BODY/SLEEVE: .000100 MIN. NICKEL PER QQ-N-290
 CONTACT: .000030 MIN. GOLD PER MIL-G-45204 OVER
 .000050 MIN. NICKEL PER QQ-N-290

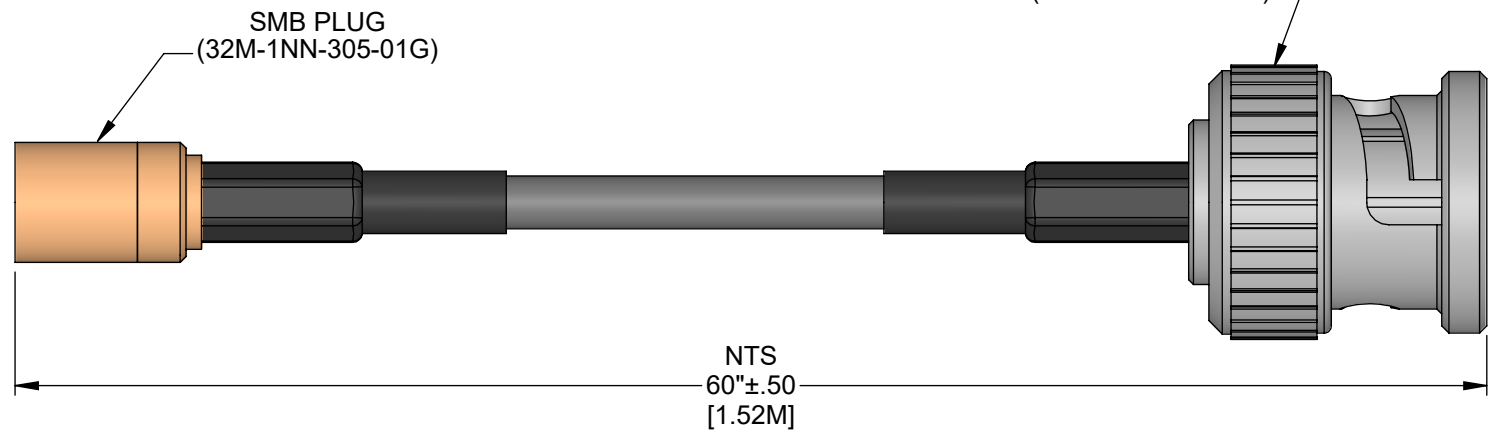
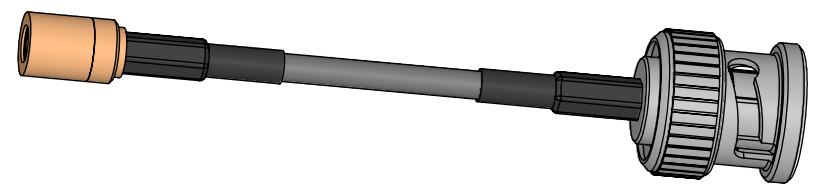
MECHANICAL/ELECTRICAL PROPERTIES

CONNECTOR MEETS (BNC): MIL-STD-348 FIG. 301-1, MIL-PRF-39012
 CONNECTOR MEETS (SMB): MIL-STD-348 FIG. 311-1, MIL-PRF-39012
 ASSEMBLY MEETS: RoHS 2015/863/EU STANDARDS
 CONNECTOR DURABILITY (BNC): 500 CYCLES MIN.
 CONNECTOR DURABILITY (SMB): 500 CYCLES MIN.
 CABLE: RD316 OR EQUIVALENT
 IMPEDANCE: 50 OHMS NOMINAL
 FREQUENCY RANGE: DC-4 GHz
 VOLTAGE RATING: 335 VRMS
 INSULATION RESISTANCE: 5,000 MEGOHMS

MATERIAL/FINISH PROPERTIES (SMB CONNECTOR)

MATERIAL PROPERTIES:
 BODY: BRASS PER ASTM B16 OR EQUIVALENT
 OUTER CONTACT: BERYLLIUM COPPER PER ASTM B196 OR EQUIVALENT
 CENTER CONTACT: BERYLLIUM COPPER PER ASTM B196 OR EQUIVALENT
 INSULATOR: PTFE PER ASTM D1710 OR EQUIVALENT

PLATING PROPERTIES:
 BODY: .000010 MIN. GOLD PER MIL-G-45204 OVER
 .000050 MIN. NICKEL PER QQ-N-290
 CENTER CONTACT: .000030 MIN. GOLD PER MIL-G-45204 OVER
 .000050 MIN. NICKEL PER QQ-N-290



A	ECN 1093	JJM	05/16/23
REV	DESCRIPTION	APPR	DATE

BROWNING ELECTRONICS
RF CONNECTOR SOLUTIONS

UNLESS OTHERWISE SPECIFIED

DIM'S ARE IN INCHES * (.XXX) = REF. DIM. * ANGLES: ±2°
 TOLERANCES: .XX = ±.010 * .XXX = ±.002 * .XXXX = ±.001
 ALL DIAMETERS TO BE CONCENTRIC WITHIN .003 F.I.M.
 SURFACE FINISH: 63 MICRO. MAX. * NO BURRS ALLOWED
 CHAMFER 1ST THREAD 45° * BREAK ALL EDGES .003 MAX.

TITLE: BNC STRAIGHT PLUG TO SMB STRAIGHT PLUG CABLE ASSEMBLY			
MATERIAL & FINISH: PER TABLE ABOVE			
DRAWN BY: TLB	CHECK BY: TLL	APPR. BY: JJM	
DATE: 05/16/23	DATE: 05/16/23	DATE: 05/16/23	
DO NOT SCALE DWG	SCALE 1:0.4	SIZE A	REV A
SALES DRAWING	PART NO. C328-05-00Z		SHEET 1 OF 1

MATERIAL/FINISH PROPERTIES (MCX CONNECTOR)

MATERIAL PROPERTIES:
 BODY: BRASS PER ASTM B16 OR EQUIVALENT
 OUTER CONTACT: BERYLLIUM COPPER PER ASTM B196 OR EQUIVALENT
 CENTER CONTACT: BRASS PER ASTM B16 OR EQUIVALENT
 INSULATOR: PTFE PER ASTM D1710 OR EQUIVALENT

PLATING PROPERTIES:
 BODY: .000010 MIN. GOLD PER MIL-G-45204 OVER
 .000050 MIN. NICKEL PER QQ-N-290
 CENTER CONTACT: .000030 MIN. GOLD PER MIL-G-45204 OVER
 .000050 MIN. NICKEL PER QQ-N-290

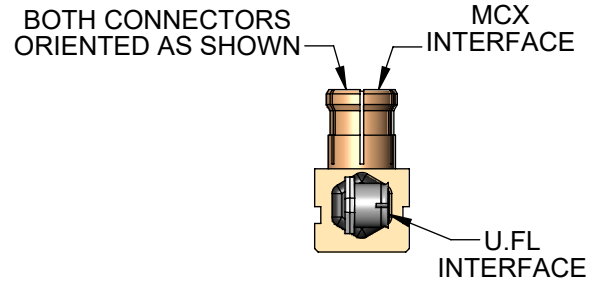
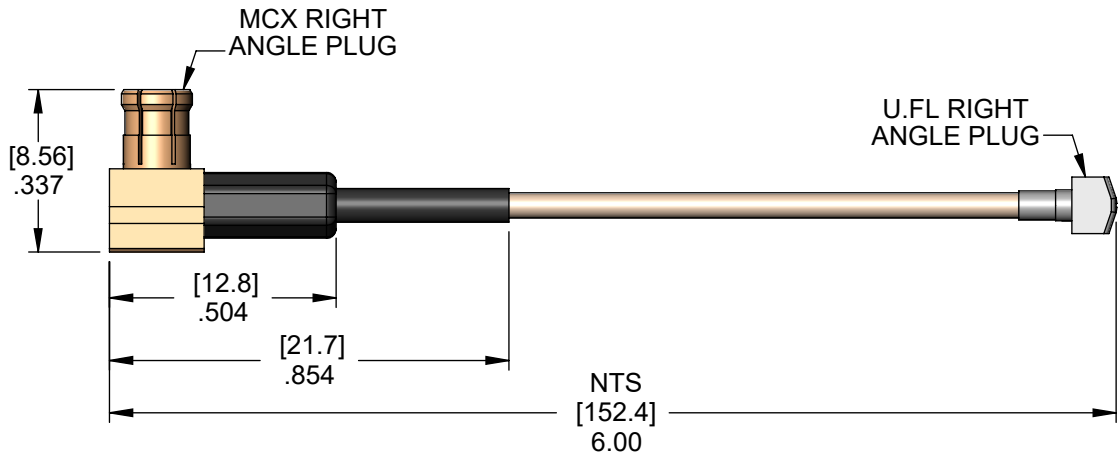
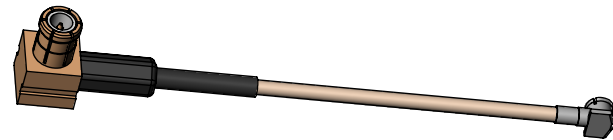
MECHANICAL/ELECTRICAL PROPERTIES

MCX CONNECTOR MEETS: CECC22 220, FIG. 2.1.1
 ASSEMBLY MEETS: RoHS 2015/863/EU STANDARDS
 CONNECTOR DURABILITY (U.FL): 30 CYCLES MIN.
 CONNECTOR DURABILITY (MCX): 500 CYCLES MIN.
 CABLE: ϕ 1.32mm (ϕ .052 IN.) SPECIAL
 IMPEDANCE: 50 OHMS NOMINAL
 FREQUENCY RANGE: DC-6 GHZ
 VOLTAGE RATING: 60 VRMS
 INSULATION RESISTANCE: 500 MEGOHMS
 TEMPERATURE RATING: -40°C TO +90°C

MATERIAL/FINISH PROPERTIES (U.FL CONNECTOR)

MATERIAL PROPERTIES:
 BODY: PHOSPHOR BRONZE OR EQUIVALENT
 CENTER CONTACT: PHOSPHOR BRONZE OR EQUIVALENT
 INSULATOR: PBT, COLOR: BLACK OR EQUIVALENT

PLATING PROPERTIES:
 BODY: SILVER PLATING
 CENTER CONTACT: GOLD PLATING



A	ECN 1033	JJM	03/20/23
REV	DESCRIPTION	APPR	DATE

BROWNING ELECTRONICS
RF CONNECTOR SOLUTIONS

UNLESS OTHERWISE SPECIFIED
 ALL DIMENSIONS ARE REFERENCE
 X.XXX DIM'S = INCHES * [X.XX] DIM'S = MILLIMETERS
 SURFACE FINISH: 63 MICRO MAX.
 ALL DIAMETERS TO BE CONCENTRIC WITHIN .005 F.I.M.

TITLE: U.FL RIGHT ANGLE PLUG TO MCX RIGHT ANGLE PLUG CABLE ASSEMBLY			
MATERIAL & FINISH: PER TABLE ABOVE			
DRAWN BY: TLB	CHECK BY: TLL	APPR. BY: JJM	
DATE: 03/20/23	DATE: 03/20/23	DATE: 03/20/23	
DO NOT SCALE DWG	SCALE 2.5:1	SIZE A	REV A
SALES DRAWING	PART NO. C422-39-06Z	SHEET 1 OF 1	

MATERIAL/FINISH PROPERTIES (BNC CONNECTOR)

MATERIAL PROPERTIES:
 BODY/SLEEVE: BRASS PER ASTM B16 OR EQUIVALENT
 CONTACT: BRASS PER ASTM B16 OR EQUIVALENT
 INSULATOR: PTFE PER ASTM D1710 OR EQUIVALENT
 GASKET: SILICONE RUBBER PER AA59588 OR EQUIVALENT

PLATING PROPERTIES:
 BODY/SLEEVE: .000100 MIN. NICKEL PER QQ-N-290
 CONTACT: .000030 MIN. GOLD PER MIL-G-45204 OVER
 .000050 MIN. NICKEL PER QQ-N-290

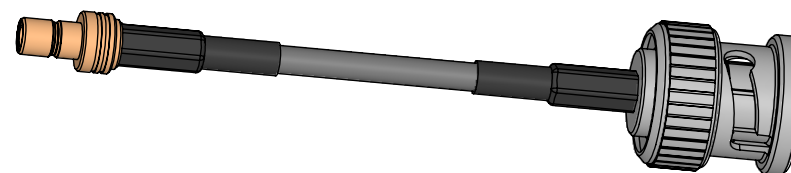
MECHANICAL/ELECTRICAL PROPERTIES

CONNECTOR MEETS (BNC): MIL-STD-348 FIG. 301-1, MIL-PRF-39012
 CONNECTOR MEETS (SMB): MIL-STD-348 FIG. 311-2, MIL-PRF-39012
 CONNECTOR MEETS: RoHS 2015/863/EU STANDARDS
 CONNECTOR DURABILITY (BNC): 500 CYCLES MIN.
 CONNECTOR DURABILITY (SMB): 500 CYCLES MIN.
 CABLE: RD316 OR EQUIVALENT
 IMPEDANCE: 50 OHMS NOMINAL
 FREQUENCY RANGE: DC-4 GHz
 VOLTAGE RATING: 335 VRMS
 INSULATION RESISTANCE: 5,000 MEGOHMS

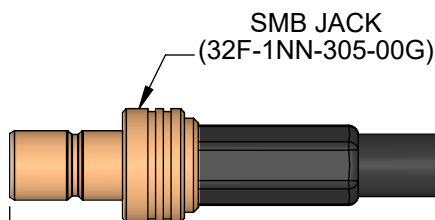
MATERIAL/FINISH PROPERTIES (SMB CONNECTOR)

MATERIAL PROPERTIES:
 BODY: BRASS PER ASTM B16 OR EQUIVALENT
 OUTER CONTACT: BERYLLIUM COPPER PER ASTM B196 OR EQUIVALENT
 CENTER CONTACT: BRASS PER ASTM B16 OR EQUIVALENT
 INSULATOR: PTFE PER ASTM D1710 OR EQUIVALENT

PLATING PROPERTIES:
 BODY: .000010 MIN. GOLD PER MIL-G-45204 OVER
 .000050 MIN. NICKEL PER QQ-N-290
 CENTER CONTACT: .000030 MIN. GOLD PER MIL-G-45204 OVER
 .000050 MIN. NICKEL PER QQ-N-290



BNC PLUG
(28M-1NN-305-00N)



SMB JACK
(32F-1NN-305-00G)

NTS
60"±.50
[1.52M]

BROWNING ELECTRONICS
RF CONNECTOR SOLUTIONS

UNLESS OTHERWISE SPECIFIED

DIM'S ARE IN INCHES * (.XXX) = REF. DIM. * ANGLES: ±2°
 TOLERANCES: .XX = ±.010 * .XXX = ±.002 * .XXXX = ±.001
 ALL DIAMETERS TO BE CONCENTRIC WITHIN .003 F.I.M.
 SURFACE FINISH: 63 MICRO. MAX. * NO BURRS ALLOWED
 CHAMFER 1ST THREAD 45° * BREAK ALL EDGES .003 MAX.

TITLE: BNC STRAIGHT PLUG TO SMB STRAIGHT JACK
CABLE ASSEMBLY

MATERIAL & FINISH: PER TABLE ABOVE

DRAWN BY: TLB	CHECK BY: TLL	APPR. BY: JJM
DATE: 05/02/23	DATE: 05/02/23	DATE: 05/02/23

DO NOT SCALE DWG	SCALE 1:0.4	SIZE A	REV A
-------------------------	-----------------------	------------------	-----------------

SALES DRAWING	PART NO. C490-05-00Z	SHEET 1 OF 1
----------------------	--------------------------------	------------------------

A	ECN 1079	JJM	05/02/23
REV	DESCRIPTION	APPR	DATE

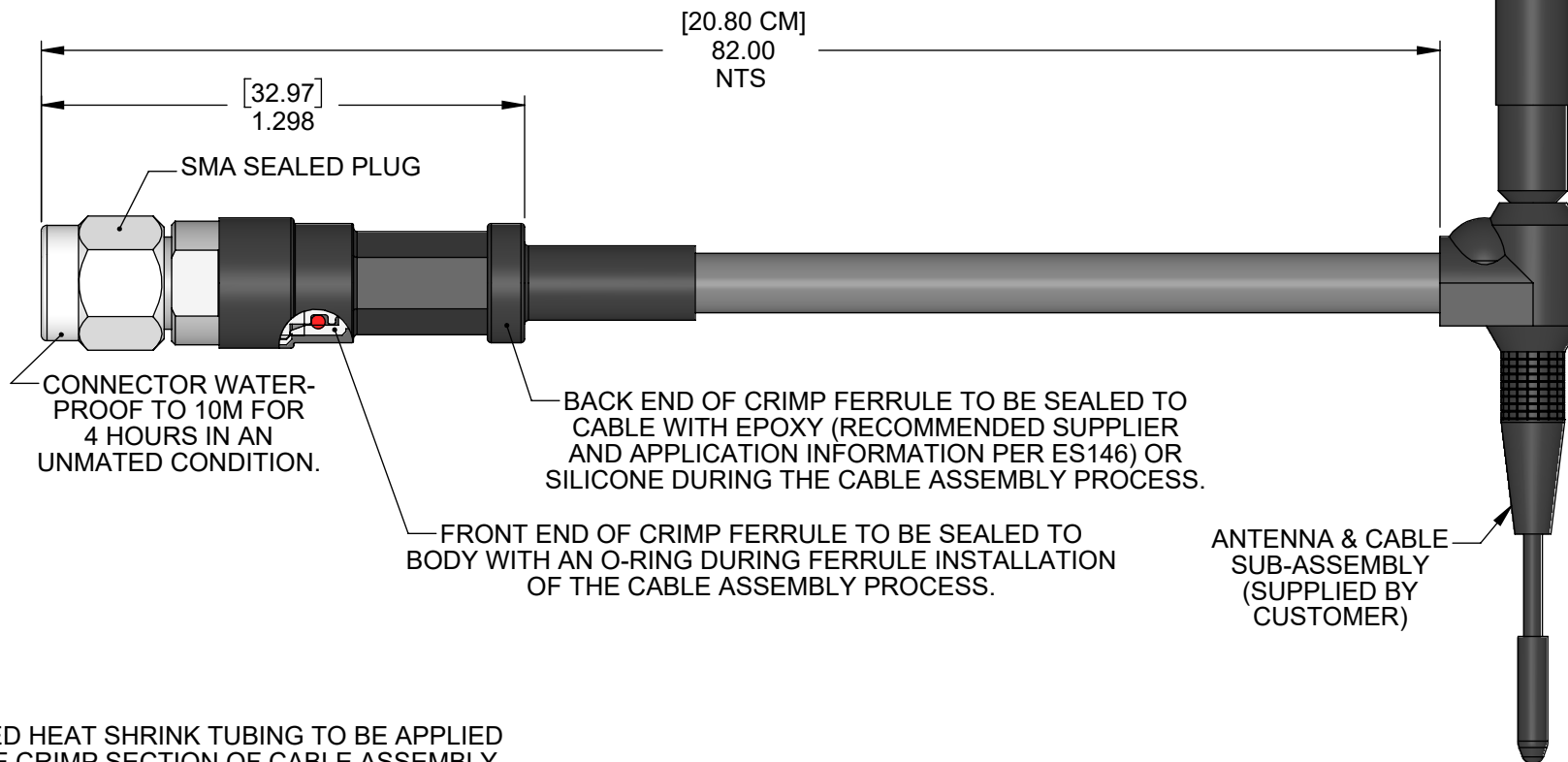
MATERIAL/FINISH PROPERTIES

MATERIAL PROPERTIES:
 BODY: BRASS PER ASTM B16 OR EQUIVALENT
 CONTACT: BERYLLIUM COPPER PER ASTM B196 OR EQUIVALENT
 INSULATOR: PTFE PER ASTM D1710 OR EQUIVALENT
 GASKETS: SILICONE RUBBER PER AA59588 OR EQUIVALENT

PLATING PROPERTIES:
 BODY: .000100 MIN. NICKEL PER QQ-N-290
 CONTACTS: .000030 MIN. GOLD PER MIL-G-45204 OVER
 .000050 MIN. NICKEL PER QQ-N-290

MECHANICAL/ELECTRICAL PROPERTIES

CONNECTOR MEETS: MIL-STD-348 FIG. 310-1, MIL-PRF-39012
 CONNECTOR MEETS: RoHS 2015/863/EU STANDARDS
 CONNECTOR DURABILITY: 250 CYCLES MIN.
 CABLE: BELDEN 88240 (SUPPLIED BY CUSTOMER)
 FERRULE CRIMP TOOL: .213 HEX (.375 MAX WIDE)
 IMPEDANCE: 50 OHMS NOMINAL
 FREQUENCY RANGE: DC-18 GHz
 VOLTAGE RATING: 335 VRMS
 INSULATION RESISTANCE: 5,000 MEGOHMS
 DIELECTRIC WITHSTANDING VOLTAGE: 1,500 VRMS



- NOTES:**
 1. ADHESIVE LINED HEAT SHRINK TUBING TO BE APPLIED OVER FERRULE CRIMP SECTION OF CABLE ASSEMBLY.

A	ECN 1031	JJM	03/20/23
REV	DESCRIPTION	APPR	DATE

BROWNING ELECTRONICS
RF CONNECTOR SOLUTIONS

UNLESS OTHERWISE SPECIFIED
 ALL DIMENSIONS ARE REFERENCE
 X.XXX DIM'S = INCHES * [X.XX] DIM'S = MILLIMETERS
 SURFACE FINISH: 63 MICRO MAX.
 ALL DIAMETERS TO BE CONCENTRIC WITHIN .005 F.I.M.

TITLE: SMA SEALED STRAIGHT PLUG TO SPECIAL ANTENNA CABLE ASSEMBLY

MATERIAL & FINISH: PER TABLE ABOVE

DRAWN BY: TLB	CHECK BY: TLL	APPR. BY: JJM
DATE: 03/20/23	DATE: 03/20/23	DATE: 03/20/23

DO NOT SCALE DWG	SCALE 2:1	SIZE A	REV A
-------------------------	---------------------	------------------	-----------------

SALES DRAWING	PART NO. C557-13-00Z	SHEET 1 OF 1
----------------------	--------------------------------	------------------------