

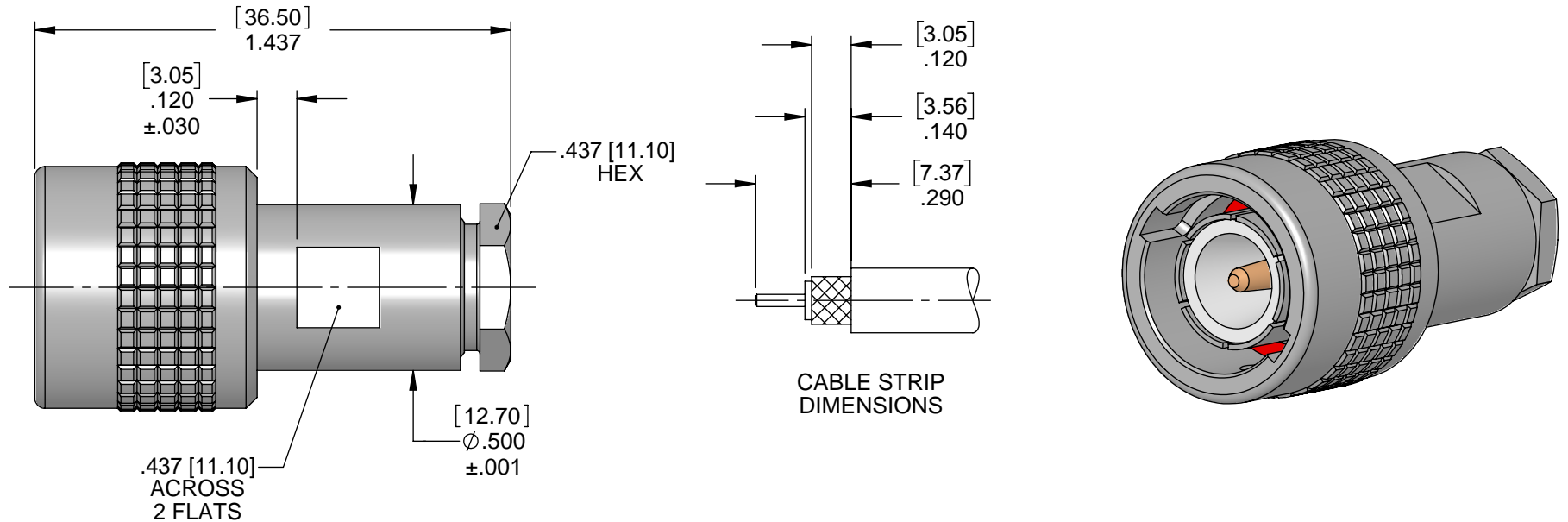
MATERIAL/FINISH PROPERTIES

MATERIAL PROPERTIES:
 BODY: BRASS PER ASTM B16 OR EQUIVALENT
 CONTACT: BRASS PER ASTM B16 OR EQUIVALENT
 INSULATOR: PTFE PER ASTM D1710 OR EQUIVALENT
 GASKET: SILICONE RUBBER PER ZZ-R-765 OR EQUIVALENT

PLATING PROPERTIES:
 CONTACT: .000030 MIN. GOLD PER MIL-G-45204 OVER
 .000050 MIN. NICKEL PER QQ-N-290
 BUSHING: .000200 MIN. SILVER PER QQ-S-365 OVER
 .000050 MIN. COPPER PER MIL-C-14550
 OTHER METAL PARTS: .000100 MIN. NICKEL PER QQ-N-290

MECHANICAL/ELECTRICAL PROPERTIES

CONNECTOR MEETS: MIL-STD-348 FIG. 302-1, MIL-PRF-39012
 CONNECTOR MEETS: RoHS 2002/95/EC STANDARDS
 CONNECTOR DURABILITY: 500 CYCLES MIN.
 CABLE: RG-58 OR EQUIVALENT
 ASSEMBLY INSTRUCTIONS: AI152
 IMPEDANCE: 50 OHMS NOMINAL
 FREQUENCY RANGE: DC-11 GHZ
 VOLTAGE RATING: 1,000 VRMS
 INSULATION RESISTANCE: 5,000 MEGOHMS
 CONTACT RESISTANCE:
 CENTER: 1.0 MILLIOHMS MAX.
 OUTER: 0.15 MILLIOHMS MAX.
 TEMPERATURE RATING: -65°C TO +165°C



B	ECN 1064	TLB	04/21/23
A	ECN 1008	JJM	11/29/22
REV	DESCRIPTION	APPR	DATE

BROWNING ELECTRONICS
RF CONNECTOR SOLUTIONS

UNLESS OTHERWISE SPECIFIED
 ALL DIMENSIONS ARE REFERENCE
 X.XXX DIM'S = INCHES * [X.XX] DIM'S = MILLIMETERS
 SURFACE FINISH: 63 MICRO MAX.
 ALL DIAMETERS TO BE CONCENTRIC WITHIN .005 F.I.M.

TITLE: C-TYPE STRAIGHT CABLE U/G CLAMP PLUG

MATERIAL & FINISH: PER TABLE ABOVE

DRAWN BY: TLB	CHECK BY: RLT	APPR. BY: JJM
DATE: 11/29/22	DATE: 11/29/22	DATE: 11/29/22

DO NOT SCALE DWG	SCALE 2:1	SIZE A	REV B
-------------------------	---------------------	------------------	-----------------

SALES DRAWING	PART NO. 35M-1NN-409-00N	SHEET 1 OF 1
----------------------	------------------------------------	------------------------

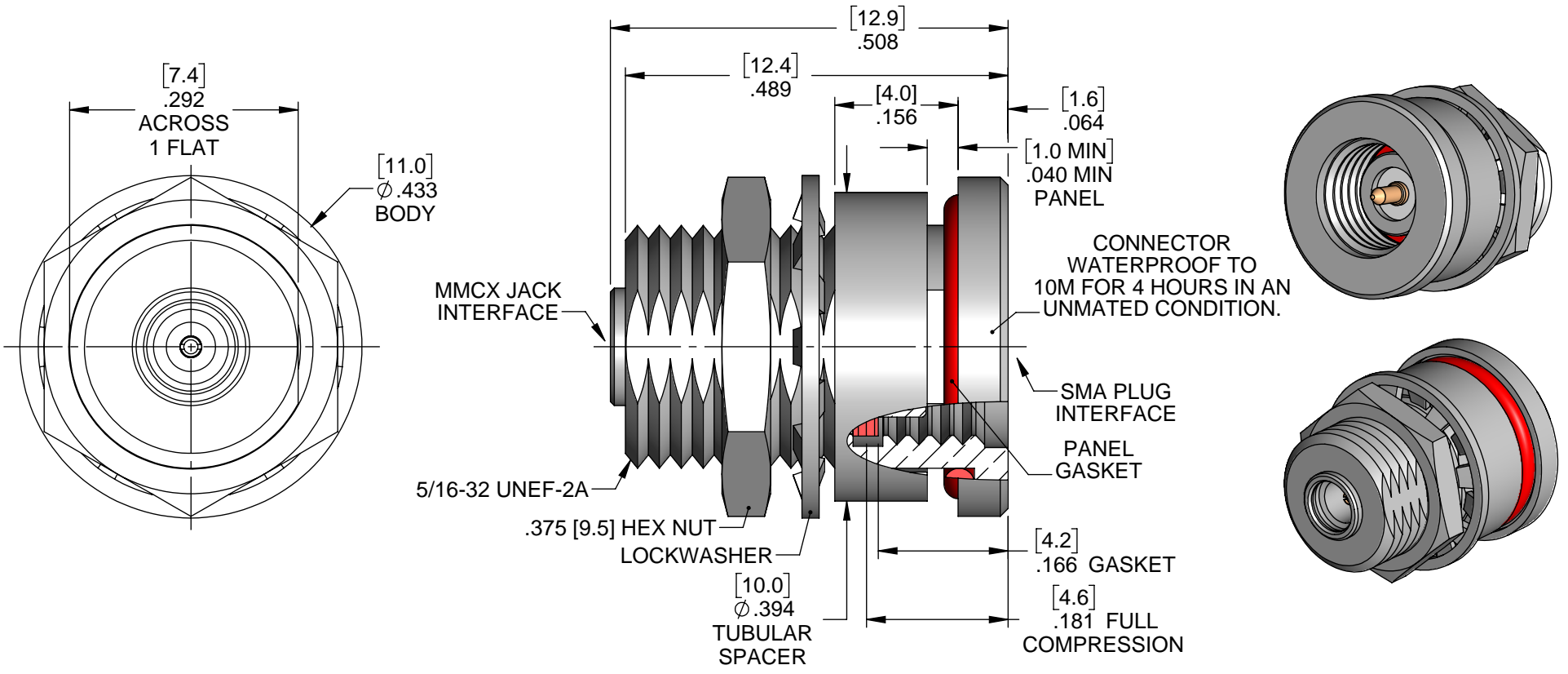
MATERIAL/FINISH PROPERTIES

MATERIAL PROPERTIES:
 BODY: STAINLESS STEEL PER ASTM A582 OR EQUIVALENT
 CONTACT: BERYLLIUM COPPER PER ASTM B196 OR EQUIVALENT
 INSULATOR: PTFE PER ASTM D1710 OR EQUIVALENT
 O-RINGS: SILICONE RUBBER PER AA59588 OR EQUIVALENT

PLATING PROPERTIES:
 BODY: PASSIVATE PER QQ-P-35, TYPE II
 CONTACT: .000030 MIN. GOLD PER MIL-G-45204 OVER
 .000050 MIN. NICKEL PER QQ-N-290

MECHANICAL/ELECTRICAL PROPERTIES

CONNECTOR MEETS: CECC22 000, MIL-PRF-39012, MIL-STD-348
 CONNECTOR MEETS: RoHS 2002/95/EC STANDARDS
 CONNECTOR DURABILITY (MMCX): 500 CYCLES MIN.
 CONNECTOR DURABILITY (SMA): 500 CYCLES MIN.
 MOUNTING PER: SPECIAL
 PANEL THICKNESS: .039 [1.0] MIN. TO .335 [8.5] MAX.
 IMPEDANCE: 50 OHMS NOMINAL
 FREQUENCY RANGE: DC-6 GHZ
 VOLTAGE RATING: 170 VRMS
 INSULATION RESISTANCE: 1,000 MEGOHMS
 TEMPERATURE RATING: -65°C TO +165°C



CONNECTOR WATERPROOF TO 10M FOR 4 HOURS IN AN UNMATED CONDITION.

BROWNING ELECTRONICS
RF CONNECTOR SOLUTIONS

UNLESS OTHERWISE SPECIFIED
 ALL DIMENSIONS ARE REFERENCE
 X.XXX DIM'S = INCHES * [X.XX] DIM'S = MILLIMETERS
 SURFACE FINISH: 63 MICRO MAX.
 ALL DIAMETERS TO BE CONCENTRIC WITHIN .005 F.I.M.

TITLE: SMA PLUG TO MMCX JACK SEALED BULKHEAD MOUNT ADAPTER

MATERIAL & FINISH: PER TABLE ABOVE

DRAWN BY: TLB	CHECK BY: TLL	APPR. BY: JJM
DATE: 04/03/23	DATE: 04/03/23	DATE: 04/03/23

DO NOT SCALE DWG	SCALE 5:1	SIZE A	REV A
-------------------------	---------------------	------------------	-----------------

SALES DRAWING	PART NO. AD530-1BK-01P	SHEET 1 OF 1
----------------------	----------------------------------	------------------------

A	ECN 1040	JJM	04/03/23
REV	DESCRIPTION	APPR	DATE

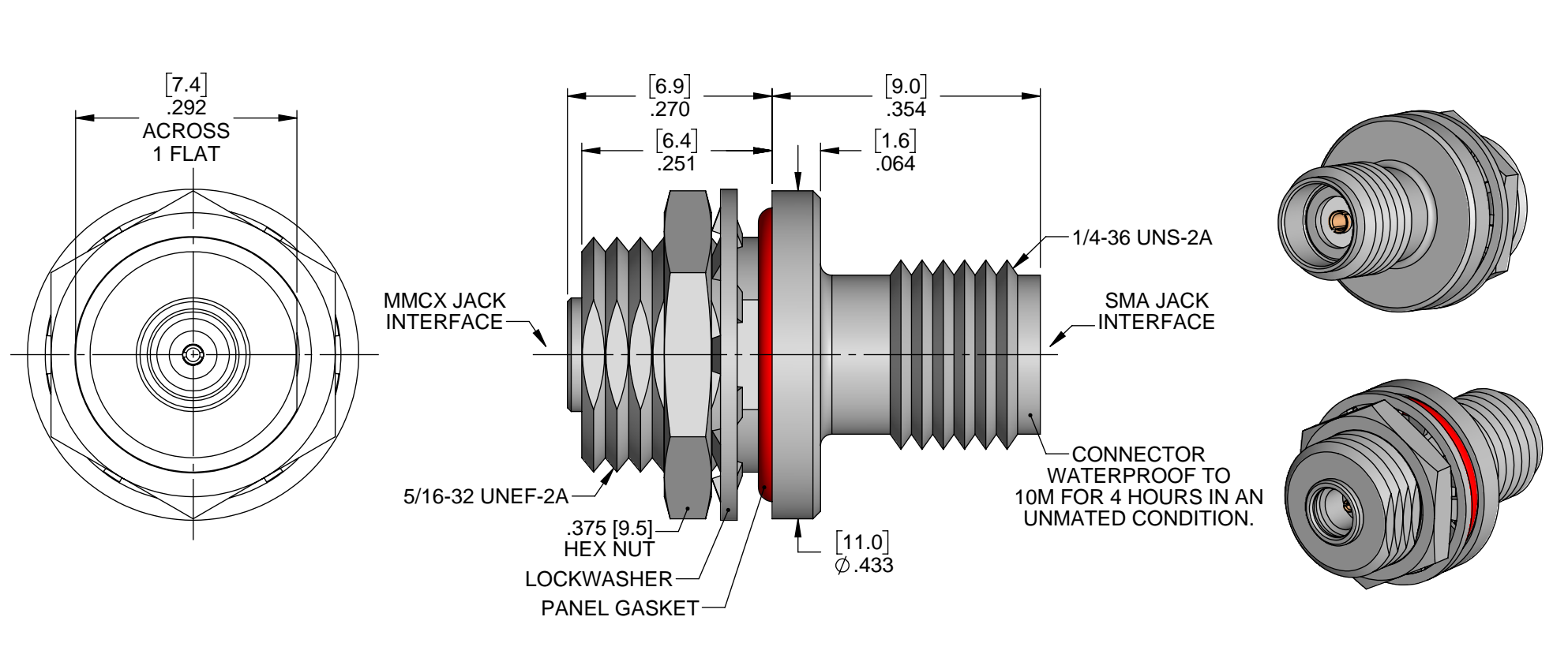
MATERIAL/FINISH PROPERTIES

MATERIAL PROPERTIES:
 BODY: STAINLESS STEEL PER ASTM A582 OR EQUIVALENT
 CONTACT: BERYLLIUM COPPER PER ASTM B196 OR EQUIVALENT
 INSULATOR: PTFE PER ASTM D1710 OR EQUIVALENT
 O-RINGS: SILICONE RUBBER PER AA59588 OR EQUIVALENT

PLATING PROPERTIES:
 BODY: PASSIVATE PER QQ-P-35, TYPE II
 CONTACT: .000030 MIN. GOLD PER MIL-G-45204 OVER
 .000050 MIN. NICKEL PER QQ-N-290

MECHANICAL/ELECTRICAL PROPERTIES

CONNECTOR MEETS: CECC22 000, MIL-PRF-39012, MIL-STD-348
 CONNECTOR MEETS: RoHS 2002/95/EC STANDARDS
 CONNECTOR DURABILITY (MMCX): 500 CYCLES MIN.
 CONNECTOR DURABILITY (SMA): 500 CYCLES MIN.
 MOUNTING PER: SPECIAL
 PANEL THICKNESS: .039 [1.0] MIN. TO .156 [4.0] MAX.
 IMPEDANCE: 50 OHMS NOMINAL
 FREQUENCY RANGE: DC-6 GHZ
 VOLTAGE RATING: 170 VRMS
 INSULATION RESISTANCE: 1,000 MEGOHMS
 TEMPERATURE RATING: -65°C TO +165°C



A	ECN 1041	JJM	04/03/23
REV	DESCRIPTION	APPR	DATE

BROWNING ELECTRONICS
RF CONNECTOR SOLUTIONS

UNLESS OTHERWISE SPECIFIED
 ALL DIMENSIONS ARE REFERENCE
 X.XXX DIM'S = INCHES * [X.XX] DIM'S = MILLIMETERS
 SURFACE FINISH: 63 MICRO MAX.
 ALL DIAMETERS TO BE CONCENTRIC WITHIN .005 F.I.M.

TITLE: SMA JACK TO MMCX JACK SEALED BULKHEAD MOUNT ADAPTER			
MATERIAL & FINISH: PER TABLE ABOVE			
DRAWN BY: TLB	CHECK BY: TLL	APPR. BY: JJM	
DATE: 04/03/23	DATE: 04/03/23	DATE: 04/03/23	
DO NOT SCALE DWG	SCALE 5:1	SIZE A	REV A
SALES DRAWING	PART NO. AD528-1BK-01P	SHEET 1 OF 1	