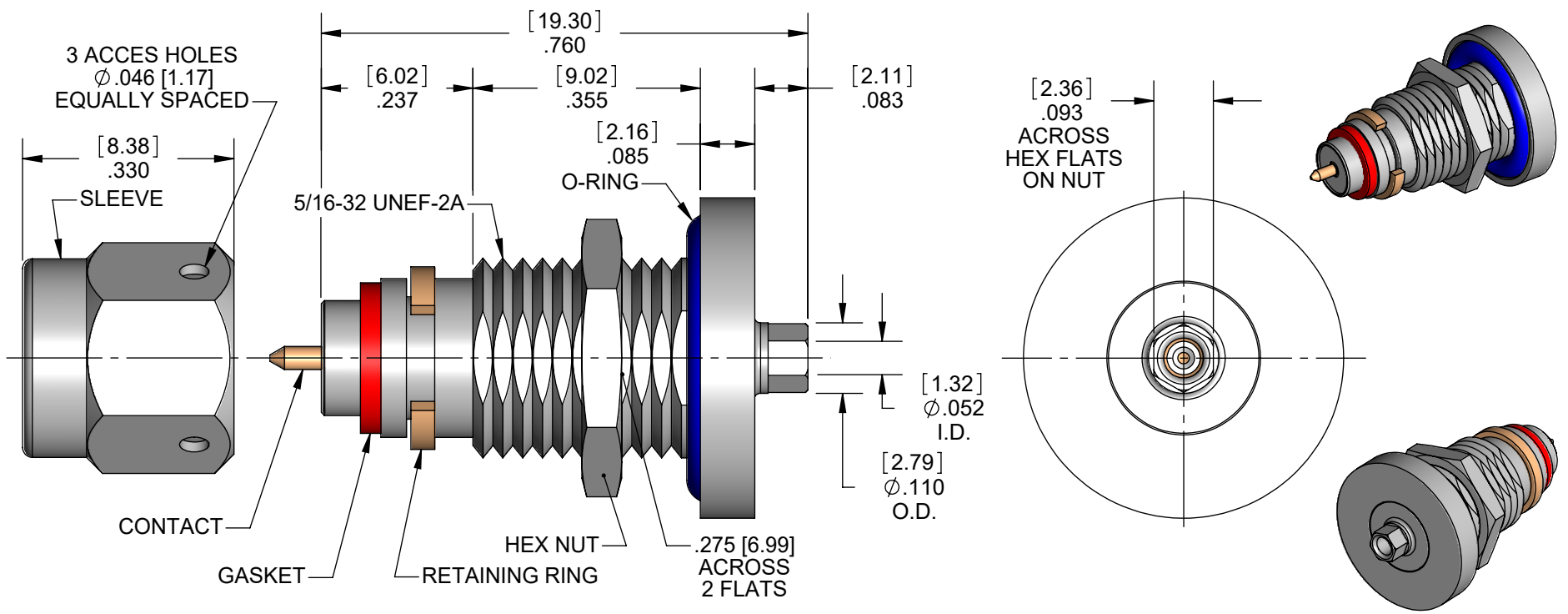


**MATERIAL/FINISH PROPERTIES**

**MATERIAL PROPERTIES:**  
 BODY & SLEEVE: STAINLESS STEEL PER ASTM A582 OR EQUIVALENT  
 CONTACT: BRASS PER ASTM B16 OR EQUIVALENT  
 INSULATOR: PTFE PER ASTM D1710 OR EQUIVALENT  
 HEX NUT: STAINLESS STEEL PER ASTM A582 OR EQUIVALENT  
 GASKET: SILICONE RUBBER, GRADE 50-60 OR EQUIVALENT  
 O-RING: FLUOROSILICONE PER MIL-R-25988 OR EQUIVALENT, COLOR: BLUE  
**PLATING PROPERTIES:**  
 BODY: PASSIVATE PER QQ-P-35  
 CONTACT/SOLDER BODY: .000030 MIN. GOLD PER MIL-G-45204 OVER  
 .000050 MIN. NICKEL PER QQ-N-290  
 SLEEVE & HEX NUT: PASSIVATE PER QQ-P-35

**MECHANICAL/ELECTRICAL PROPERTIES**

CONNECTOR MEETS: MIL-STD-348 FIG. 310-1, MIL-PRF-39012  
 CONNECTOR MEETS: RoHS 2015/863/EU STANDARDS  
 CONNECTOR DURABILITY: 500 CYCLES MIN.  
 MOUNTING: PER ES117-BK450  
 PANEL THICKNESS: .250 [6.4] MAX.  
 CABLE: M17/151 (.047 S/R) OR EQUIVALENT  
 ASSEMBLY INSTRUCTIONS: AI204  
 IMPEDANCE: 50 OHMS NOMINAL  
 FREQUENCY RANGE: DC-18 GHz  
 VOLTAGE RATING: 335 VRMS  
 INSULATION RESISTANCE: 5,000 MEGOHMS



A	ECN 1026	JJM	03/13/23
REV	DESCRIPTION	APPR	DATE

**BROWNING ELECTRONICS**  
*RF CONNECTOR SOLUTIONS*

**UNLESS OTHERWISE SPECIFIED**  
 ALL DIMENSIONS ARE REFERENCE  
 X.XXX DIM'S = INCHES \* [X.XX] DIM'S = MILLIMETERS  
 SURFACE FINISH: 63 MICRO MAX.  
 ALL DIAMETERS TO BE CONCENTRIC WITHIN .005 F.I.M.

**TITLE:** SMA .047 S/R CABLED BULKHEAD MOUNT PLUG

**MATERIAL & FINISH:** PER TABLE ABOVE

<b>DRAWN BY:</b> TLB	<b>CHECK BY:</b> TLL	<b>APPR. BY:</b> JJM
<b>DATE:</b> 03/13/23	<b>DATE:</b> 03/13/23	<b>DATE:</b> 03/13/23

<b>DO NOT SCALE DWG</b>	<b>SCALE</b> 4:1	<b>SIZE</b> A	<b>REV</b> A
-------------------------	---------------------	------------------	-----------------

<b>SALES DRAWING</b>	<b>PART NO.</b> 39M-1BK-111-00P	<b>SHEET</b> 1 OF 1
----------------------	------------------------------------	------------------------

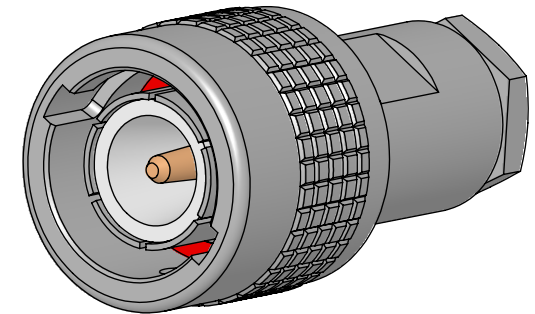
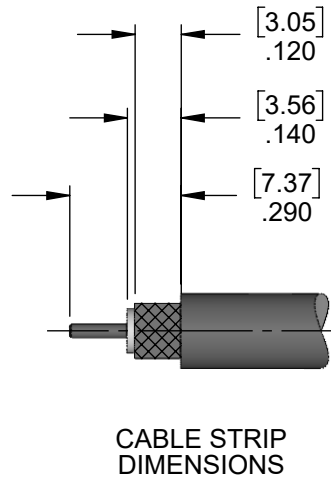
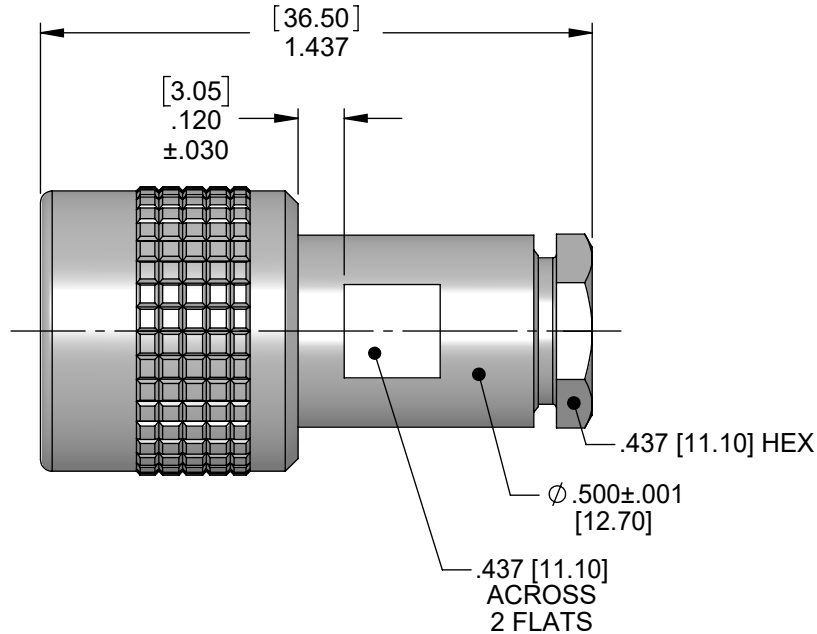
**MATERIAL/FINISH PROPERTIES**

**MATERIAL PROPERTIES:**  
 BODY: BRASS PER ASTM B16 OR EQUIVALENT  
 CONTACT: BRASS PER ASTM B16 OR EQUIVALENT  
 INSULATOR: PTFE PER ASTM D1710 OR EQUIVALENT  
 GASKET: SILICONE RUBBER PER ZZ-R-765 OR EQUIVALENT

**PLATING PROPERTIES:**  
 CONTACT: .000030 MIN. GOLD PER MIL-G-45204 OVER  
 .000050 MIN. NICKEL PER QQ-N-290  
 BUSHING: .000200 MIN. SILVER PER QQ-S-365 OVER  
 .000050 MIN. COPPER PER MIL-C-14550  
 OTHER METAL PARTS: .000100 MIN. NICKEL PER QQ-N-290

**MECHANICAL/ELECTRICAL PROPERTIES**

CONNECTOR MEETS: MIL-STD-348 FIG. 302-1, MIL-PRF-39012  
 CONNECTOR MEETS: RoHS 2015/863/EU STANDARDS  
 CONNECTOR DURABILITY: 500 CYCLES MIN.  
 CABLE: RG-58 OR EQUIVALENT  
 ASSEMBLY INSTRUCTIONS: AI152  
 IMPEDANCE: 50 OHMS NOMINAL  
 FREQUENCY RANGE: DC-11 GHZ  
 VOLTAGE RATING: 1,000 VRMS  
 INSULATION RESISTANCE: 5,000 MEGOHMS  
 CONTACT RESISTANCE:  
 CENTER: 1.0 MILLIOHMS MAX.  
 OUTER: 0.15 MILLIOHMS MAX.  
 TEMPERATURE RATING: -65°C TO +165°C



B	ECN 1064	TLB	04/21/23
A	ECN 1008	JJM	11/29/22
REV	DESCRIPTION	APPR	DATE

**BROWNING ELECTRONICS**  
*RF CONNECTOR SOLUTIONS*

**UNLESS OTHERWISE SPECIFIED**  
 ALL DIMENSIONS ARE REFERENCE  
 X.XXX DIM'S = INCHES \* [X.XX] DIM'S = MILLIMETERS  
 SURFACE FINISH: 63 MICRO MAX.  
 ALL DIAMETERS TO BE CONCENTRIC WITHIN .005 F.I.M.

**TITLE:** C-TYPE STRAIGHT CABLE U/G CLAMP PLUG

**MATERIAL & FINISH:** PER TABLE ABOVE

<b>DRAWN BY:</b> TLB	<b>CHECK BY:</b> RLT	<b>APPR. BY:</b> JJM
<b>DATE:</b> 11/29/22	<b>DATE:</b> 11/29/22	<b>DATE:</b> 11/29/22

<b>DO NOT SCALE DWG</b>	<b>SCALE</b> 2:1	<b>SIZE</b> A	<b>REV</b> B
-------------------------	---------------------	------------------	-----------------

<b>SALES DRAWING</b>	<b>PART NO.</b> 35M-1NN-409-00N	<b>SHEET</b> 1 OF 1
----------------------	------------------------------------	------------------------

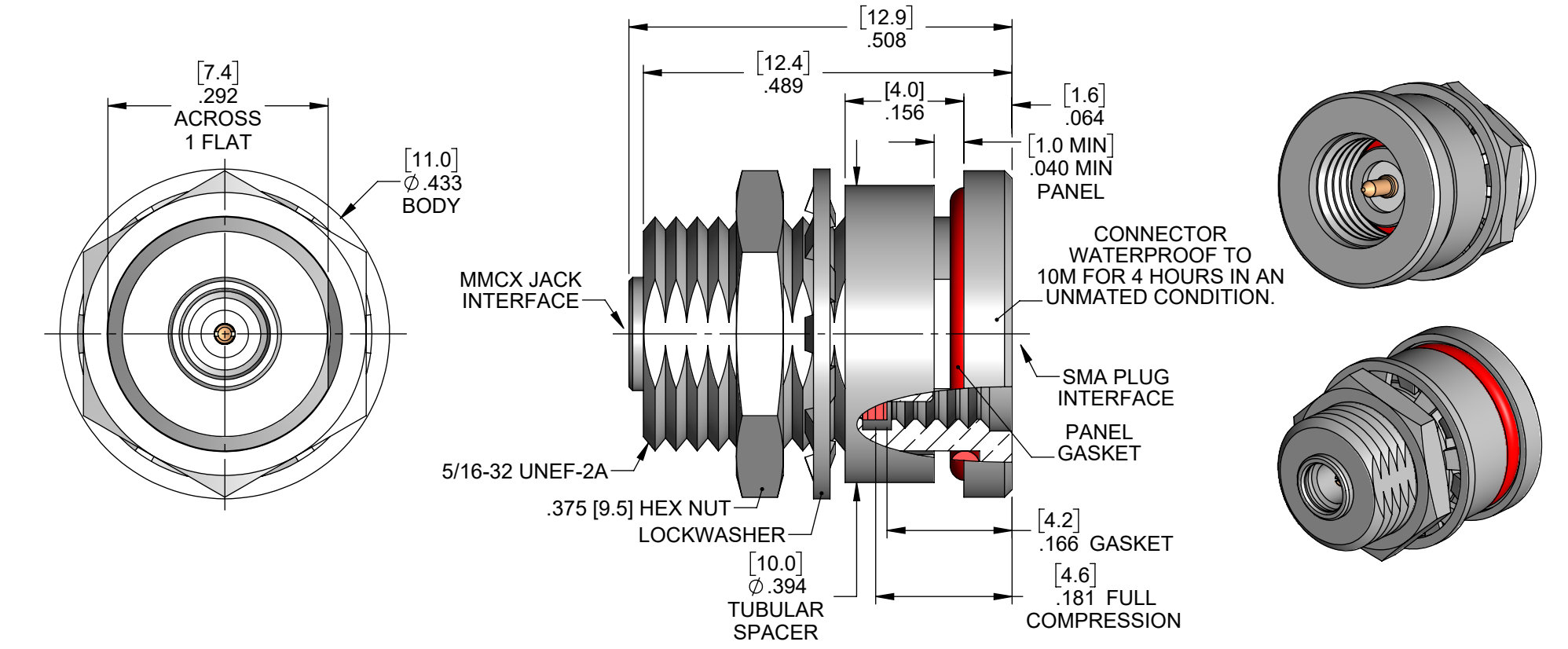
**MATERIAL/FINISH PROPERTIES**

**MATERIAL PROPERTIES:**  
 BODY: STAINLESS STEEL PER ASTM A582 OR EQUIVALENT  
 CONTACT: BERYLLIUM COPPER PER ASTM B196 OR EQUIVALENT  
 INSULATOR: PTFE PER ASTM D1710 OR EQUIVALENT  
 O-RINGS: SILICONE RUBBER PER AA59588 OR EQUIVALENT

**PLATING PROPERTIES:**  
 BODY: PASSIVATE PER QQ-P-35, TYPE II  
 CONTACT: .000030 MIN. GOLD PER MIL-G-45204 OVER  
 .000050 MIN. NICKEL PER QQ-N-290

**MECHANICAL/ELECTRICAL PROPERTIES**

CONNECTOR MEETS: CECC22 000, MIL-PRF-39012, MIL-STD-348  
 CONNECTOR MEETS: RoHS 2015/863/EU STANDARDS  
 CONNECTOR DURABILITY (MMCX): 500 CYCLES MIN.  
 CONNECTOR DURABILITY (SMA): 500 CYCLES MIN.  
 MOUNTING PER: SPECIAL  
 PANEL THICKNESS: .039 [1.0] MIN. TO .335 [8.5] MAX.  
 IMPEDANCE: 50 OHMS NOMINAL  
 FREQUENCY RANGE: DC-6 GHZ  
 VOLTAGE RATING: 170 VRMS  
 INSULATION RESISTANCE: 1,000 MEGOHMS  
 TEMPERATURE RATING: -65°C TO +165°C



B	ECN 1203	TLB	02/12/25
A	ECN 1040	JJM	04/03/23
<b>REV</b>	<b>DESCRIPTION</b>	<b>APPR</b>	<b>DATE</b>

**BROWNING ELECTRONICS**  
*RF CONNECTOR SOLUTIONS*

**UNLESS OTHERWISE SPECIFIED**  
 ALL DIMENSIONS ARE REFERENCE  
 X.XXX DIM'S = INCHES \* [X.XX] DIM'S = MILLIMETERS  
 SURFACE FINISH: 63 MICRO MAX.  
 ALL DIAMETERS TO BE CONCENTRIC WITHIN .005 F.I.M.

<b>TITLE:</b> SMA PLUG TO MMCX JACK SEALED BULKHEAD MOUNT ADAPTER			
<b>MATERIAL &amp; FINISH:</b> PER TABLE ABOVE			
<b>DRAWN BY:</b> TLB	<b>CHECK BY:</b> TLL	<b>APPR. BY:</b> JJM	
<b>DATE:</b> 04/03/23	<b>DATE:</b> 04/03/23	<b>DATE:</b> 04/03/23	
<b>DO NOT SCALE DWG</b>	<b>SCALE</b> 5:1	<b>SIZE</b> A	<b>REV</b> B
<b>SALES DRAWING</b>	<b>PART NO.</b> AD530-1BK-01P		<b>SHEET</b> 1 OF 1

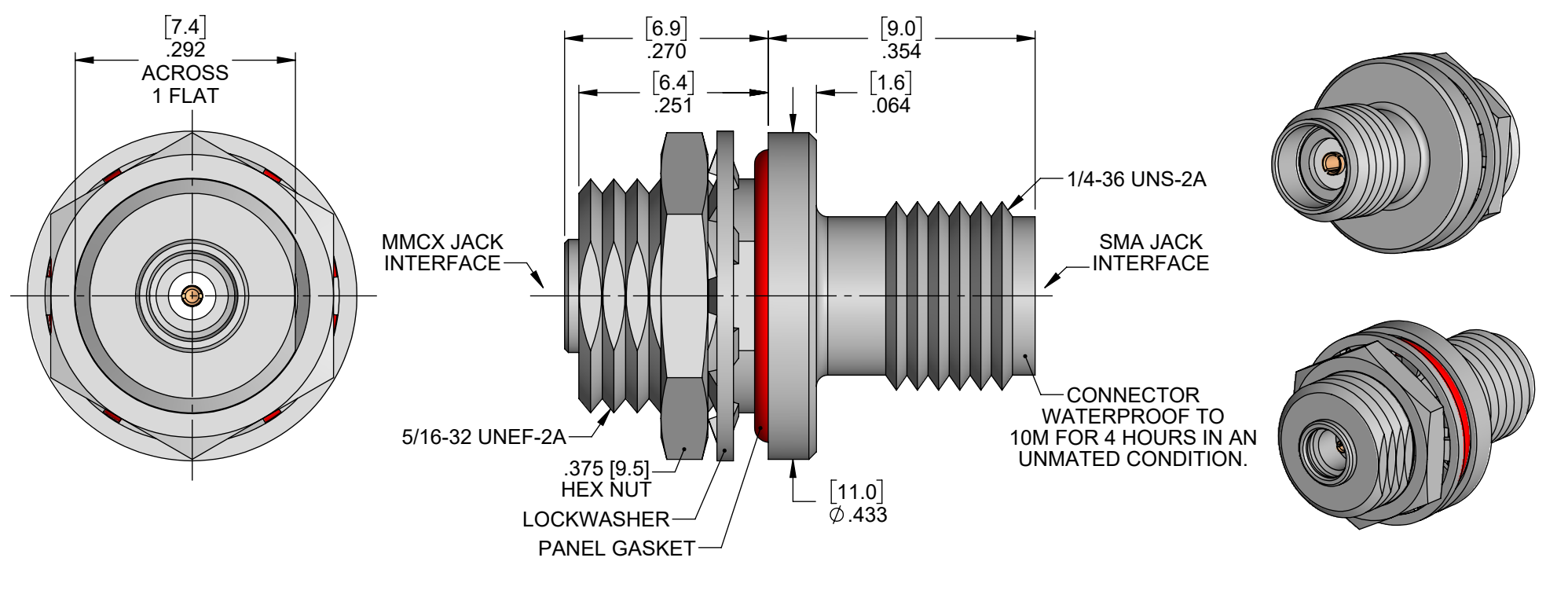
**MATERIAL/FINISH PROPERTIES**

**MATERIAL PROPERTIES:**  
 BODY: STAINLESS STEEL PER ASTM A582 OR EQUIVALENT  
 CONTACT: BERYLLIUM COPPER PER ASTM B196 OR EQUIVALENT  
 INSULATOR: PTFE PER ASTM D1710 OR EQUIVALENT  
 O-RINGS: SILICONE RUBBER PER AA59588 OR EQUIVALENT

**PLATING PROPERTIES:**  
 BODY: PASSIVATE PER QQ-P-35, TYPE II  
 CONTACT: .000030 MIN. GOLD PER MIL-G-45204 OVER  
 .000050 MIN. NICKEL PER QQ-N-290

**MECHANICAL/ELECTRICAL PROPERTIES**

CONNECTOR MEETS: CECC22 000, MIL-PRF-39012, MIL-STD-348  
 CONNECTOR MEETS: RoHS 2015/863/EU STANDARDS  
 CONNECTOR DURABILITY (MMCX): 500 CYCLES MIN.  
 CONNECTOR DURABILITY (SMA): 500 CYCLES MIN.  
 MOUNTING PER: SPECIAL  
 PANEL THICKNESS: .039 [1.0] MIN. TO .156 [4.0] MAX.  
 IMPEDANCE: 50 OHMS NOMINAL  
 FREQUENCY RANGE: DC-6 GHZ  
 VOLTAGE RATING: 170 VRMS  
 INSULATION RESISTANCE: 1,000 MEGOHMS  
 TEMPERATURE RATING: -65°C TO +165°C



B	ECN 1203	TLB	02/12/25
A	ECN 1041	JJM	04/03/23
<b>REV</b>	<b>DESCRIPTION</b>	<b>APPR</b>	<b>DATE</b>

**BROWNING ELECTRONICS**  
*RF CONNECTOR SOLUTIONS*

UNLESS OTHERWISE SPECIFIED  
 ALL DIMENSIONS ARE REFERENCE  
 X.XXX DIM'S = INCHES \* [X.XX] DIM'S = MILLIMETERS  
 SURFACE FINISH: 63 MICRO MAX.  
 ALL DIAMETERS TO BE CONCENTRIC WITHIN .005 F.I.M.

<b>TITLE:</b> SMA JACK TO MMCX JACK SEALED BULKHEAD MOUNT ADAPTER			
<b>MATERIAL &amp; FINISH:</b> PER TABLE ABOVE			
<b>DRAWN BY:</b> TLB	<b>CHECK BY:</b> TLL	<b>APPR. BY:</b> JJM	
<b>DATE:</b> 04/03/23	<b>DATE:</b> 04/03/23	<b>DATE:</b> 04/03/23	
<b>DO NOT SCALE DWG</b>	<b>SCALE</b> 5:1	<b>SIZE</b> A	<b>REV</b> B
<b>SALES DRAWING</b>	<b>PART NO.</b> AD528-1BK-01P		<b>SHEET</b> 1 OF 1