

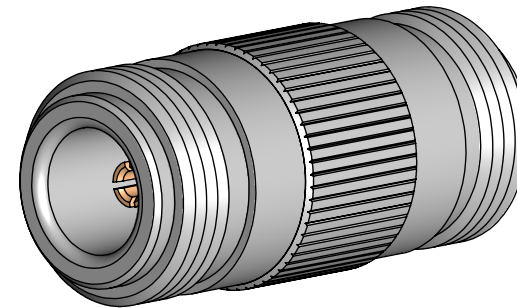
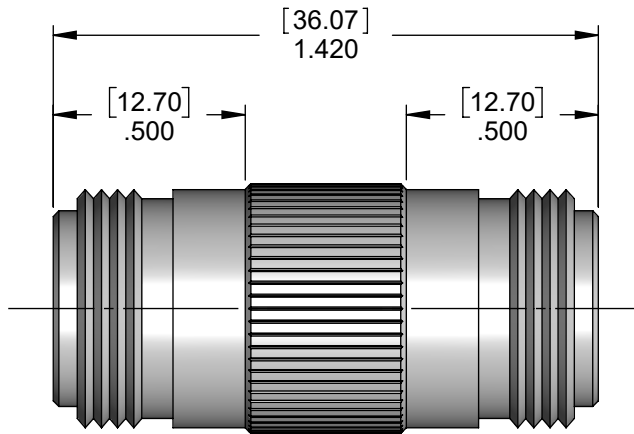
**MATERIAL/FINISH PROPERTIES**

**MATERIAL PROPERTIES:**  
 BODY: BRASS PER ASTM B16 OR EQUIVALENT  
 CONTACT: BERYLLIUM COPPER PER ASTM B196 OR EQUIVALENT  
 INSULATOR: PTFE PER ASTM D1710 OR EQUIVALENT

**PLATING PROPERTIES:**  
 BODY: .000100 MIN. NICKEL PER QQ-N-290  
 CONTACT: .000030 MIN. GOLD PER MIL-G-45204 OVER  
 .000050 MIN. NICKEL PER QQ-N-290

**MECHANICAL/ELECTRICAL PROPERTIES**

CONNECTOR MEETS: MIL-STD-348 FIG. 304-2, MIL-PRF-39012  
 CONNECTOR MEETS: RoHS 2015/863/EU STANDARDS  
 CONNECTOR DURABILITY: 500 CYCLES MIN.  
 IMPEDANCE: 50 OHMS NOMINAL  
 FREQUENCY RANGE: DC-12 GHz  
 VOLTAGE RATING: 1,000 VRMS  
 INSULATION RESISTANCE: 5,000 MEGOHMS  
 DIELECTRIC WITHSTANDING VOLTAGE: 2,500 VRMS



A	ECN 1012	JJM	12/16/22
<b>REV</b>	<b>DESCRIPTION</b>	<b>APPR</b>	<b>DATE</b>

**BROWNING ELECTRONICS**  
*RF CONNECTOR SOLUTIONS*

**UNLESS OTHERWISE SPECIFIED**  
 ALL DIMENSIONS ARE REFERENCE  
 X.XXX DIM'S = INCHES \* [X.XX] DIM'S = MILLIMETERS  
 SURFACE FINISH: 63 MICRO MAX.  
 ALL DIAMETERS TO BE CONCENTRIC WITHIN .005 F.I.M.

**TITLE:** N-TYPE JACK TO N-TYPE JACK STRAIGHT ADAPTER

**MATERIAL & FINISH:** PER TABLE ABOVE

<b>DRAWN BY:</b> TLB	<b>CHECK BY:</b> RLT	<b>APPR. BY:</b> JJM
<b>DATE:</b> 12/16/22	<b>DATE:</b> 12/16/22	<b>DATE:</b> 12/16/22

<b>DO NOT SCALE DWG</b>	<b>SCALE</b> 2:1	<b>SIZE</b> A	<b>REV</b> A
-------------------------	---------------------	------------------	-----------------

<b>SALES DRAWING</b>	<b>PART NO.</b> AD331-1NN-03N	<b>SHEET</b> 1 OF 1
----------------------	----------------------------------	------------------------