

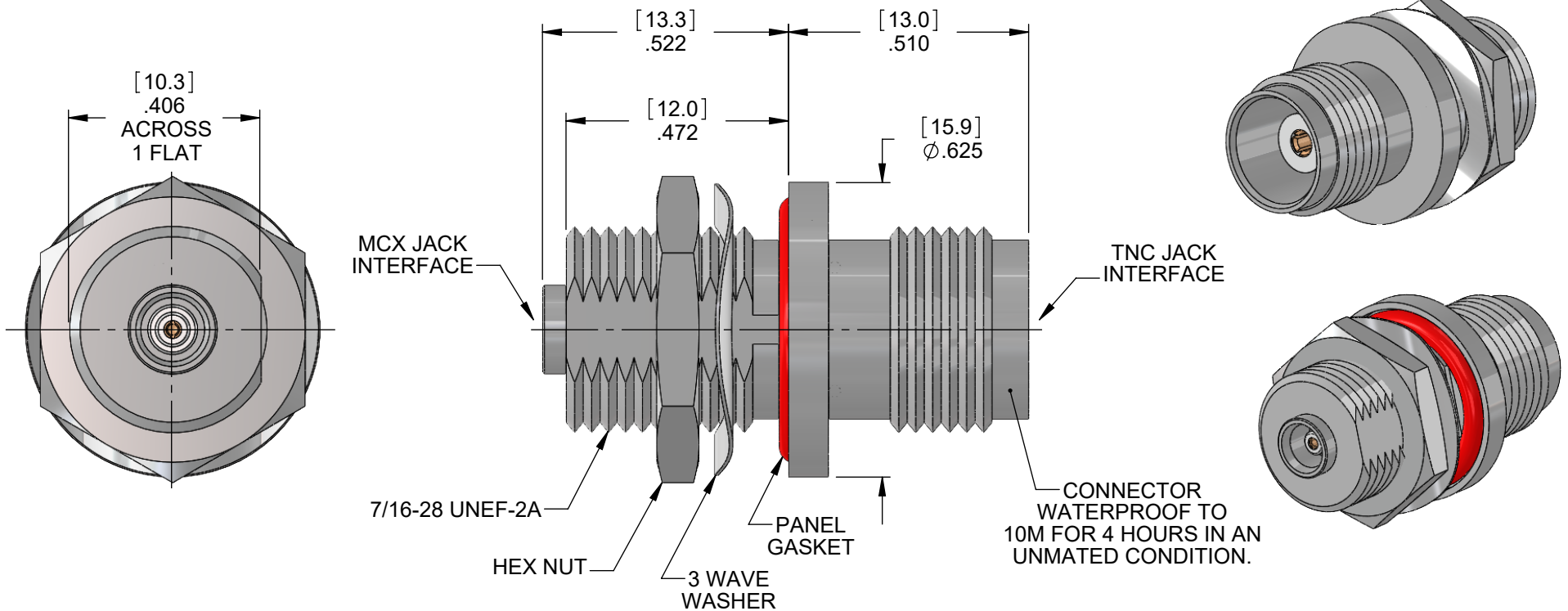
MATERIAL/FINISH PROPERTIES

MATERIAL PROPERTIES:
 BODY: BRASS PER ASTM B16 OR EQUIVALENT
 CONTACT: BERYLLIUM COPPER PER ASTM B196 OR EQUIVALENT
 INSULATOR: PTFE PER ASTM D1710 OR EQUIVALENT
 O-RINGS: GASKETS: SILICONE RUBBER PER AA59588 OR EQUIVALENT

PLATING PROPERTIES:
 BODY: .000100 MIN. NICKEL PER QQ-N-290
 CONTACT: .000030 MIN. GOLD PER MIL-G-45204 OVER
 .000050 MIN. NICKEL PER QQ-N-290

MECHANICAL/ELECTRICAL PROPERTIES

CONNECTOR MEETS: CECC 22 220, MIL-PRF-39012, MIL-STD-348
 CONNECTOR MEETS: RoHS 2002/95/EC STANDARDS
 CONNECTOR DURABILITY (MCX): 500 CYCLES MIN.
 CONNECTOR DURABILITY (TNC): 500 CYCLES MIN.
 MOUNTING: PER ES117-BK340
 PANEL THICKNESS: .354 [9.0] MAX.
 IMPEDANCE: 50 OHMS NOMINAL
 FREQUENCY RANGE: DC-6 GHZ
 VOLTAGE RATING: 335 VRMS
 INSULATION RESISTANCE: 1,000 MEGOHMS
 DIELECTRIC WITHSTANDING VOLTAGE: 1,000 VRMS
 TEMPERATURE RATING: -65°C TO +165°C



A	ECN 1023	JJM	03/13/23
REV	DESCRIPTION	APPR	DATE

BROWNING ELECTRONICS
RF CONNECTOR SOLUTIONS

UNLESS OTHERWISE SPECIFIED
 ALL DIMENSIONS ARE REFERENCE
 X.XXX DIM'S = INCHES * [X.XX] DIM'S = MILLIMETERS
 SURFACE FINISH: 63 MICRO MAX.
 ALL DIAMETERS TO BE CONCENTRIC WITHIN .005 F.I.M.

TITLE: TNC JACK TO MCX JACK SEALED STRAIGHT BULKHEAD MOUNT ADAPTER

MATERIAL & FINISH: PER TABLE ABOVE

DRAWN BY: TLB	CHECK BY: TLL	APPR. BY: JJM
DATE: 03/13/23	DATE: 03/13/23	DATE: 03/13/23

DO NOT SCALE DWG	SCALE 3:1	SIZE A	REV A
-------------------------	---------------------	------------------	-----------------

SALES DRAWING	PART NO. AD322-1BK-07N	SHEET 1 OF 1
----------------------	----------------------------------	------------------------

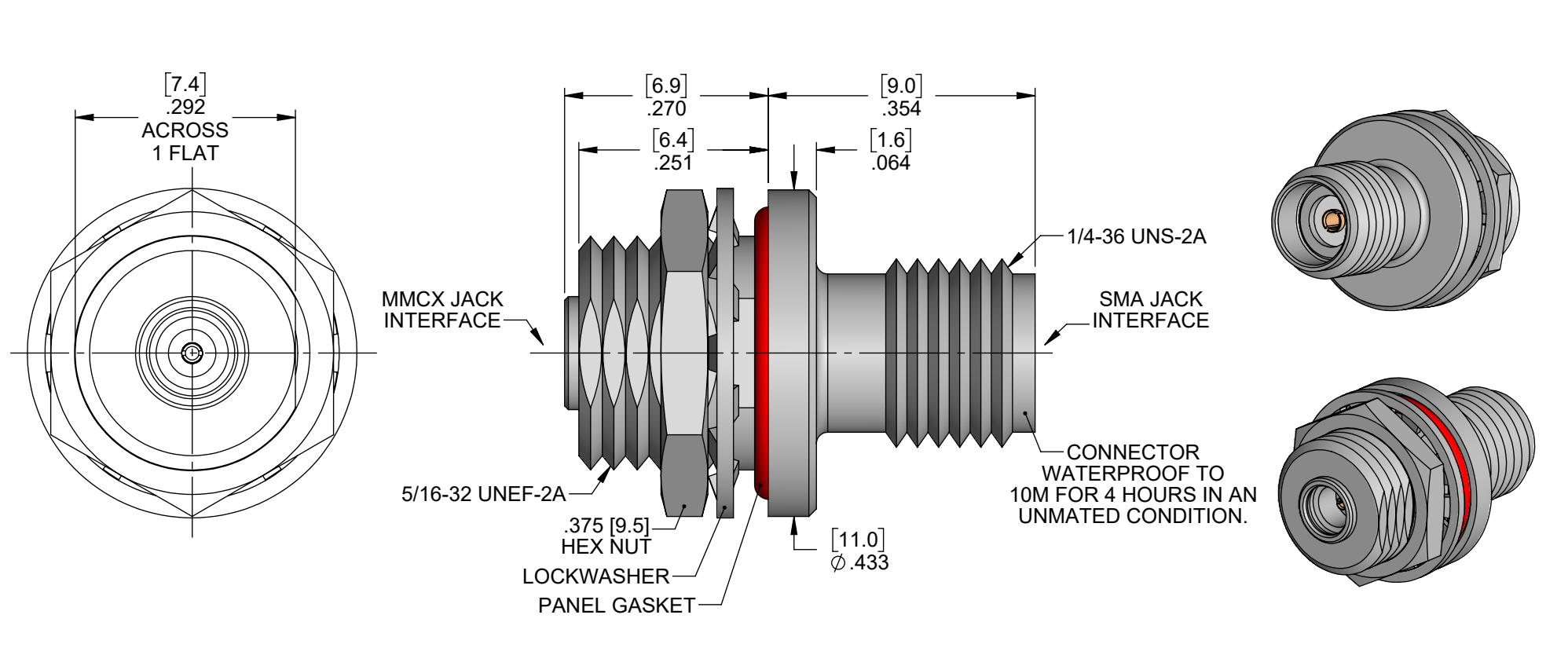
MATERIAL/FINISH PROPERTIES

MATERIAL PROPERTIES:
 BODY: STAINLESS STEEL PER ASTM A582 OR EQUIVALENT
 CONTACT: BERYLLIUM COPPER PER ASTM B196 OR EQUIVALENT
 INSULATOR: PTFE PER ASTM D1710 OR EQUIVALENT
 O-RINGS: SILICONE RUBBER PER AA59588 OR EQUIVALENT

PLATING PROPERTIES:
 BODY: PASSIVATE PER QQ-P-35, TYPE II
 CONTACT: .000030 MIN. GOLD PER MIL-G-45204 OVER
 .000050 MIN. NICKEL PER QQ-N-290

MECHANICAL/ELECTRICAL PROPERTIES

CONNECTOR MEETS: CECC22 000, MIL-PRF-39012, MIL-STD-348
 CONNECTOR MEETS: RoHS 2002/95/EC STANDARDS
 CONNECTOR DURABILITY (MMCX): 500 CYCLES MIN.
 CONNECTOR DURABILITY (SMA): 500 CYCLES MIN.
 MOUNTING PER: SPECIAL
 PANEL THICKNESS: .039 [1.0] MIN. TO .156 [4.0] MAX.
 IMPEDANCE: 50 OHMS NOMINAL
 FREQUENCY RANGE: DC-6 GHZ
 VOLTAGE RATING: 170 VRMS
 INSULATION RESISTANCE: 1,000 MEGOHMS
 TEMPERATURE RATING: -65°C TO +165°C



A	ECN 1041	JJM	04/03/23
REV	DESCRIPTION	APPR	DATE

BROWNING ELECTRONICS
RF CONNECTOR SOLUTIONS

UNLESS OTHERWISE SPECIFIED
 ALL DIMENSIONS ARE REFERENCE
 X.XXX DIM'S = INCHES * [X.XX] DIM'S = MILLIMETERS
 SURFACE FINISH: 63 MICRO MAX.
 ALL DIAMETERS TO BE CONCENTRIC WITHIN .005 F.I.M.

TITLE: SMA JACK TO MMCX JACK SEALED BULKHEAD MOUNT ADAPTER			
MATERIAL & FINISH: PER TABLE ABOVE			
DRAWN BY: TLB	CHECK BY: TLL	APPR. BY: JJM	
DATE: 04/03/23	DATE: 04/03/23	DATE: 04/03/23	
DO NOT SCALE DWG	SCALE 5:1	SIZE A	REV A
SALES DRAWING	PART NO. AD528-1BK-01P	SHEET 1 OF 1	

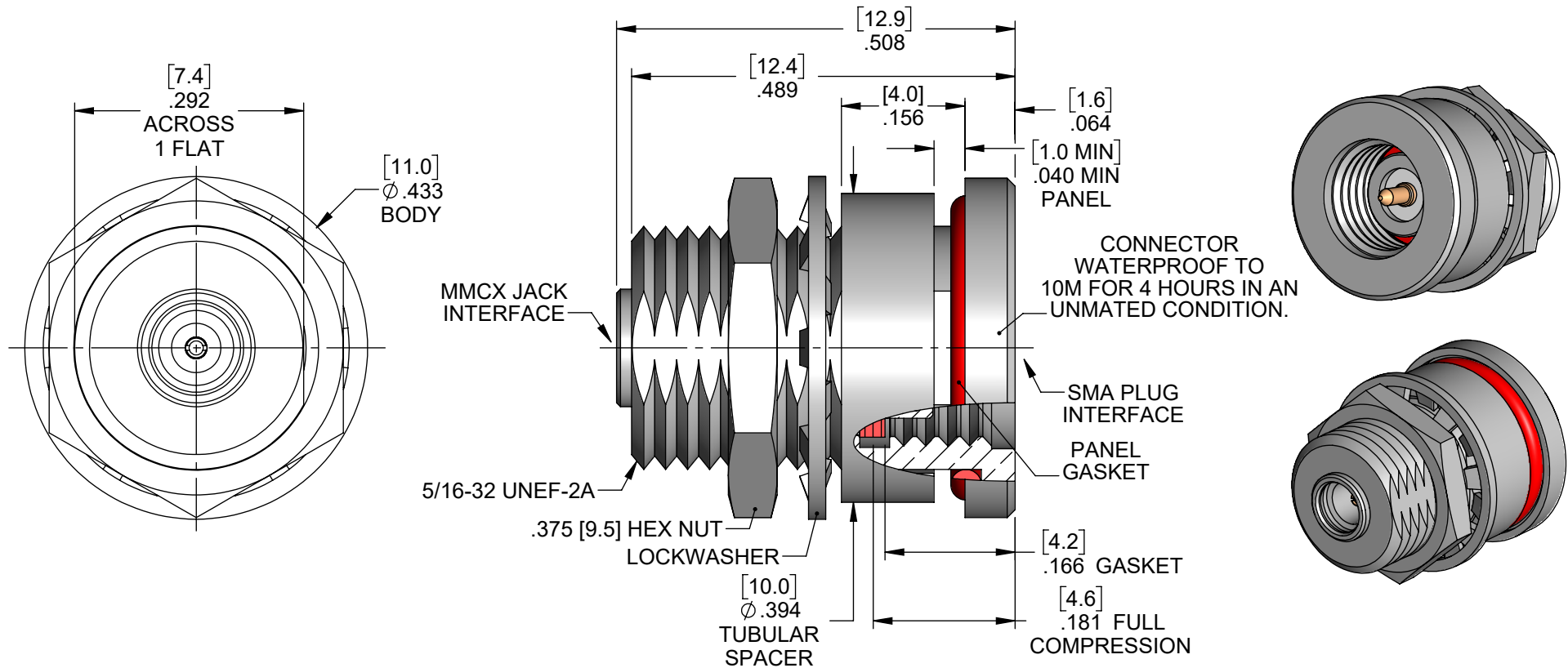
MATERIAL/FINISH PROPERTIES

MATERIAL PROPERTIES:
 BODY: STAINLESS STEEL PER ASTM A582 OR EQUIVALENT
 CONTACT: BERYLLIUM COPPER PER ASTM B196 OR EQUIVALENT
 INSULATOR: PTFE PER ASTM D1710 OR EQUIVALENT
 O-RINGS: SILICONE RUBBER PER AA59588 OR EQUIVALENT

PLATING PROPERTIES:
 BODY: PASSIVATE PER QQ-P-35, TYPE II
 CONTACT: .000030 MIN. GOLD PER MIL-G-45204 OVER
 .000050 MIN. NICKEL PER QQ-N-290

MECHANICAL/ELECTRICAL PROPERTIES

CONNECTOR MEETS: CECC22 000, MIL-PRF-39012, MIL-STD-348
 CONNECTOR MEETS: RoHS 2002/95/EC STANDARDS
 CONNECTOR DURABILITY (MMCX): 500 CYCLES MIN.
 CONNECTOR DURABILITY (SMA): 500 CYCLES MIN.
 MOUNTING PER: SPECIAL
 PANEL THICKNESS: .039 [1.0] MIN. TO .335 [8.5] MAX.
 IMPEDANCE: 50 OHMS NOMINAL
 FREQUENCY RANGE: DC-6 GHZ
 VOLTAGE RATING: 170 VRMS
 INSULATION RESISTANCE: 1,000 MEGOHMS
 TEMPERATURE RATING: -65°C TO +165°C



A	ECN 1040	JJM	04/03/23
REV	DESCRIPTION	APPR	DATE

BROWNING ELECTRONICS
RF CONNECTOR SOLUTIONS

UNLESS OTHERWISE SPECIFIED
 ALL DIMENSIONS ARE REFERENCE
 X.XXX DIM'S = INCHES * [X.XX] DIM'S = MILLIMETERS
 SURFACE FINISH: 63 MICRO MAX.
 ALL DIAMETERS TO BE CONCENTRIC WITHIN .005 F.I.M.

TITLE: SMA PLUG TO MMCX JACK SEALED BULKHEAD MOUNT ADAPTER

MATERIAL & FINISH: PER TABLE ABOVE

DRAWN BY: TLB	CHECK BY: TLL	APPR. BY: JJM
DATE: 04/03/23	DATE: 04/03/23	DATE: 04/03/23

DO NOT SCALE DWG	SCALE 5:1	SIZE A	REV A
-------------------------	---------------------	------------------	-----------------

SALES DRAWING	PART NO. AD530-1BK-01P	SHEET 1 OF 1
----------------------	----------------------------------	------------------------

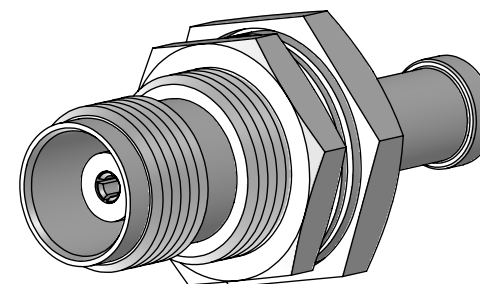
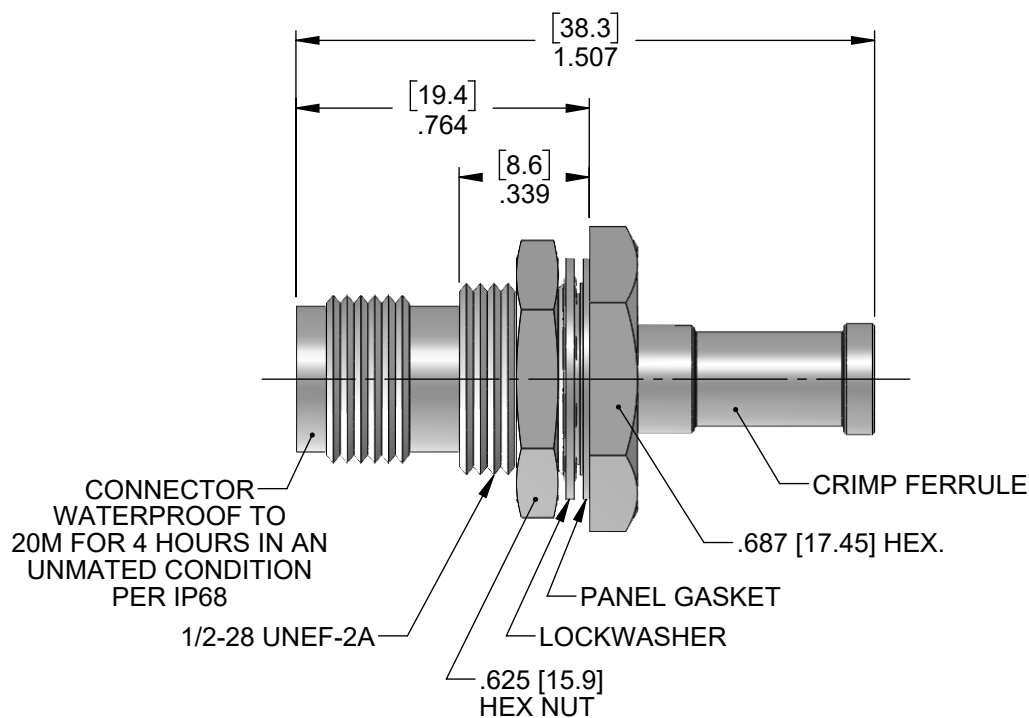
MATERIAL/FINISH PROPERTIES

MATERIAL PROPERTIES:
 BODY: STAINLESS STEEL PER ASTM304, TYPE 316 OR EQUIVALENT
 CONTACT: BERYLLIUM COPPER PER ASTM B196 OR EQUIVALENT
 INSULATOR: PTFE PER ASTM D1710 OR EQUIVALENT
 GASKETS: SILICONE RUBBER PER AA59588 OR EQUIVALENT

PLATING PROPERTIES:
 BODY: PASSIVATE PER QQ-P-35, TYPE II
 CONTACT: .000030 MIN. GOLD PER MIL-G-45204 OVER
 .000050 MIN. NICKEL PER QQ-N-290

MECHANICAL/ELECTRICAL PROPERTIES

CONNECTOR MEETS: MIL-STD-348 FIG. 313-2, MIL-PRF-39012
 CONNECTOR MEETS: RoHS 2002/95/EC STANDARDS
 CONNECTOR DURABILITY: 500 CYCLES MIN.
 MOUNTING: PER ES117-BK190
 PANEL THICKNESS: .190 [4.8] MAX.
 CABLE: LMR 195
 CRIMP FERRULE TOOL: .218 HEX.
 IMPEDANCE: 50 OHMS NOMINAL
 FREQUENCY RANGE: DC-11 GHZ
 VOLTAGE RATING: 500 VRMS
 INSULATION RESISTANCE: 5,000 MEGOHMS
 DIELECTRIC WITHSTANDING VOLTAGE: 1,500 VRMS



A	ECN 1059	JJM	04/12/23
REV	DESCRIPTION	APPR	DATE

BROWNING ELECTRONICS
RF CONNECTOR SOLUTIONS

UNLESS OTHERWISE SPECIFIED
 ALL DIMENSIONS ARE REFERENCE
 X.XXX DIM'S = INCHES * [X.XX] DIM'S = MILLIMETERS
 SURFACE FINISH: 63 MICRO MAX.
 ALL DIAMETERS TO BE CONCENTRIC WITHIN .005 F.I.M.

TITLE: TNC SEALED STRAIGHT BULKHEAD MOUNT CABLED JACK

MATERIAL & FINISH: PER TABLE ABOVE

DRAWN BY: TLB	CHECK BY: TLL	APPR. BY: JJM
DATE: 04/12/23	DATE: 04/12/23	DATE: 04/12/23

DO NOT SCALE DWG	SCALE 2:1	SIZE A	REV A
-------------------------	---------------------	------------------	-----------------

SALES DRAWING	PART NO. 23F-1BK-309-01P	SHEET 1 OF 1
----------------------	------------------------------------	------------------------

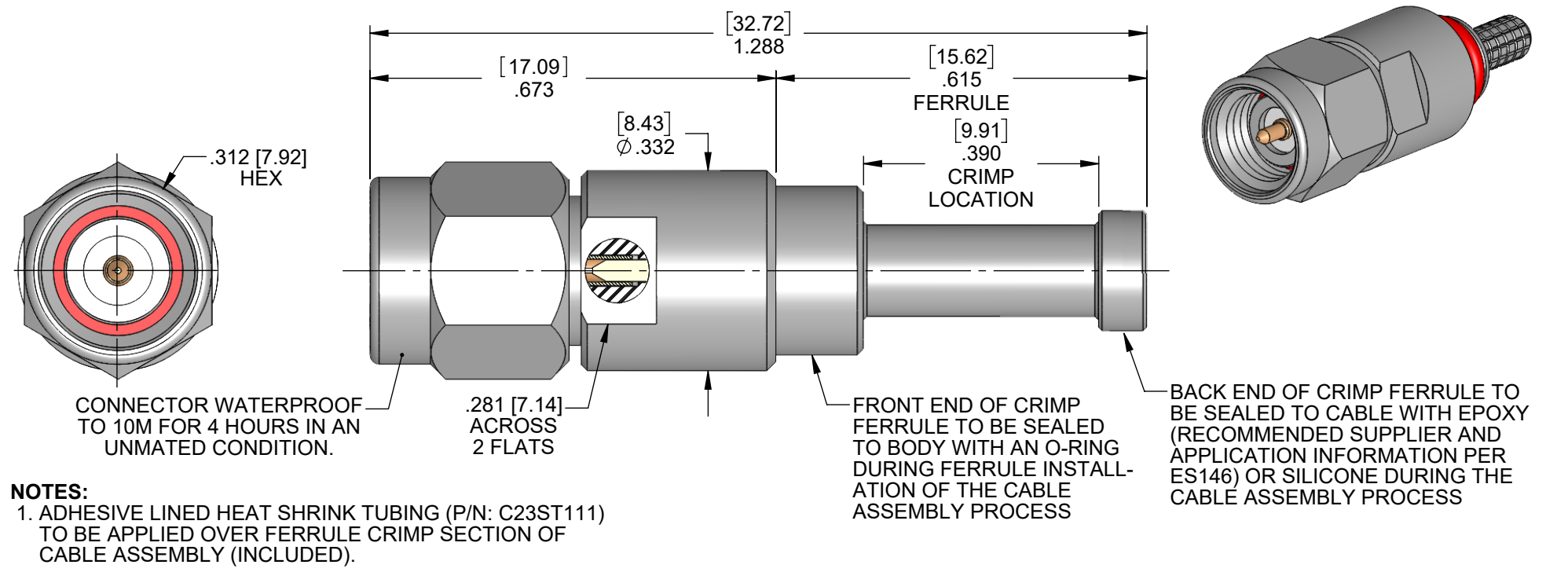
MATERIAL/FINISH PROPERTIES

MATERIAL PROPERTIES:
 BODY: BRASS PER ASTM B16 OR EQUIVALENT
 SLEEVE: STAINLESS STEEL PER ASTM A582 OR EQUIVALENT
 INTERFACE CONTACT: BERYLLIUM COPPER PER ASTM B196 OR EQUIVALENT
 CABLE CONTACT: BRASS PER ASTM B16 OR EQUIVALENT
 INSULATOR: PTFE PER ASTM D1710 OR EQUIVALENT
 GASKETS: SILICONE RUBBER PER AA59588 OR EQUIVALENT

PLATING PROPERTIES:
 BODY: .000100 MIN. NICKEL PER QQ-N-290
 SLEEVE: PASSIVATE PER QQ-P-35, TYPE II
 CONTACTS: .000030 MIN. GOLD PER MIL-G-45204 OVER
 .000050 MIN. NICKEL PER QQ-N-290

MECHANICAL/ELECTRICAL PROPERTIES

CONNECTOR MEETS: MIL-STD-348 FIG. 310-1, MIL-PRF-39012
 CONNECTOR MEETS: RoHS 2002/95/EC STANDARDS
 CONNECTOR DURABILITY: 250 CYCLES MIN.
 CABLE: RG316 OR EQUIVALENT
 FERRULE CRIMP TOOL: .128 HEX (.375 MAX WIDE)
 ASSEMBLY INSTRUCTIONS: AI378
 IMPEDANCE: 50 OHMS NOMINAL
 FREQUENCY RANGE: DC-18 GHz
 VOLTAGE RATING: 335 VRMS
 INSULATION RESISTANCE: 5,000 MEGOHMS
 DIELECTRIC WITHSTANDING VOLTAGE: 1,500 VRMS



A	ECN 1049	JJM	04/11/23
REV	DESCRIPTION	APPR	DATE

BROWNING ELECTRONICS
RF CONNECTOR SOLUTIONS

UNLESS OTHERWISE SPECIFIED
 ALL DIMENSIONS ARE REFERENCE
 X.XXX DIM'S = INCHES * [X.XX] DIM'S = MILLIMETERS
 SURFACE FINISH: 63 MICRO MAX.
 ALL DIAMETERS TO BE CONCENTRIC WITHIN .005 F.I.M.

TITLE: SMA SEALED STRAIGHT CABLED PLUG			
MATERIAL & FINISH: PER TABLE ABOVE			
DRAWN BY: TLB	CHECK BY: TLL	APPR. BY: JJM	
DATE: 04/11/23	DATE: 04/11/23	DATE: 04/11/23	
DO NOT SCALE DWG	SCALE 4:1	SIZE A	REV A
SALES DRAWING	PART NO. 40M-1NN-301-03N	SHEET 1 OF 1	

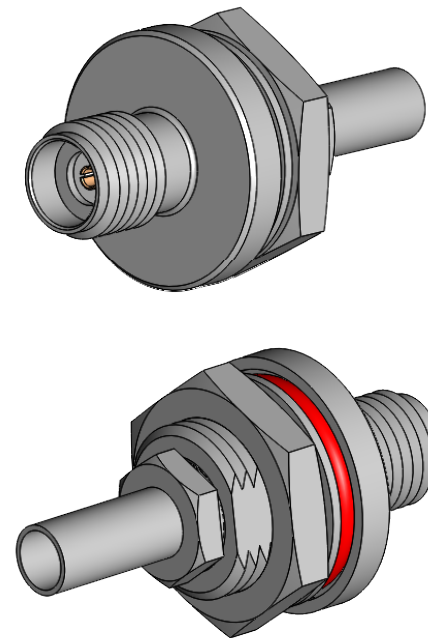
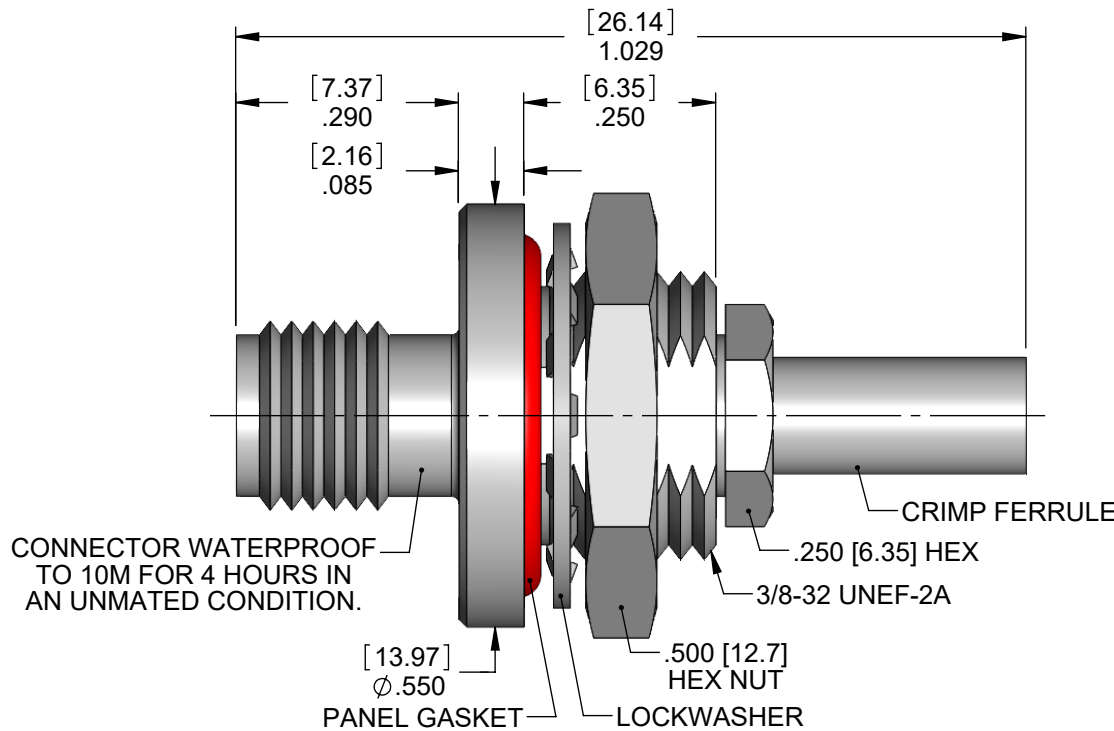
MATERIAL/FINISH PROPERTIES

MATERIAL PROPERTIES:
 BODY: BRASS PER ASTM B16 OR EQUIVALENT
 CONTACT: BERYLLIUM COPPER PER ASTM B196 OR EQUIVALENT
 INSULATOR: PTFE PER ASTM D1710 OR EQUIVALENT
 GASKETS: SILICONE RUBBER PER AA59588 OR EQUIVALENT

PLATING PROPERTIES:
 BODY: .000100 MIN. NICKEL PER QQ-N-290
 CONTACT: .000030 MIN. GOLD PER MIL-G-45204 OVER
 .000050 MIN. NICKEL PER QQ-N-290

MECHANICAL/ELECTRICAL PROPERTIES

CONNECTOR MEETS: MIL-STD-348 FIG. 310-2, MIL-PRF-39012
 CONNECTOR MEETS: RoHS 2002/95/EC STANDARDS
 CONNECTOR DURABILITY: 250 CYCLES MIN.
 MOUNTING: PER ES117-BK470
 PANEL THICKNESS: .125 [3.2] MAX.
 CABLE: RG316 OR EQUIVALENT
 ASSEMBLY INSTRUCTIONS: A1161
 FERRULE CRIMP TOOL: .128 HEX.
 IMPEDANCE: 50 OHMS NOMINAL
 FREQUENCY RANGE: DC-18 GHz
 VOLTAGE RATING: 335 VRMS
 INSULATION RESISTANCE: 5,000 MEGOHMS
 DIELECTRIC WITHSTANDING VOLTAGE: 1,500 VRMS



BROWNING ELECTRONICS
RF CONNECTOR SOLUTIONS

UNLESS OTHERWISE SPECIFIED
 ALL DIMENSIONS ARE REFERENCE
 X.XXX DIM'S = INCHES * [X.XX] DIM'S = MILLIMETERS
 SURFACE FINISH: 63 MICRO MAX.
 ALL DIAMETERS TO BE CONCENTRIC WITHIN .005 F.I.M.

TITLE: SMA SEALED STRAIGHT BULKHEAD MOUNT CABLED JACK

MATERIAL & FINISH: PER TABLE ABOVE

DRAWN BY: TLB	CHECK BY: TLL	APPR. BY: JJM
DATE: 04/11/23	DATE: 04/11/23	DATE: 04/11/23

DO NOT SCALE DWG	SCALE 4:1	SIZE A	REV A
-------------------------	---------------------	------------------	-----------------

SALES DRAWING	PART NO. 40F-1BK-301-01N	SHEET 1 OF 1
----------------------	------------------------------------	------------------------

A	ECN 1051	JJM	04/11/23
REV	DESCRIPTION	APPR	DATE