

## **GENERAL DESCRIPTION**

The 'C' series are general purpose medium size connector series that has a weatherproof bayonet locking mechanism. This series compliments the N-Type series by offering the same size fitting for the same cable groups. They are generally used in applications up to 11Ghz.

## **MATERIALS**

Bodies & Other Parts: Brass per ASTM B16 or equivalent.  
Female Contacts: Beryllium Copper per ASTM B196 or equivalent.  
Male Contacts: Brass per ASTM B16 or equivalent.  
Insulators (Dielectric): PTFE Fluorocarbon per ASTM D1710 or equivalent.  
Gaskets: Silicone Rubber per AA59588 or equivalent.

## **ELECTRICAL**

Impedance: 50 Ohms Nominal  
Frequency Range: DC-11 GHz  
Insulation Resistance: 5,000 Megohms min.  
Voltage Rating: 1,000 VRMS  
Dielectric Withstanding: 3,000 VRMS at sea level  
Voltage Standing Wave Ratio (VSWR): 1.35 max.  
Contact Resistance:  
    Outer Contact: 0.15 Milliohms  
    Center Contact: 1.0 Milliohms

## **ENVIRONMENTAL**

Temperature rating: -65°C to +165°C  
Vibration: MIL-STD-202, Method 204  
Shock: MIL-STD-202, Method 213  
Thermal Shock: MIL-STD-202, Method 107  
Corrosion (Salt Spray): MIL-STD-202, Method 101  
Moisture Resistance: MIL-STD-202, Method 106

## **PLATING OPTIONS**

Gold: Per MIL-G-45204, Type II, Grade C  
Nickel: Per QQ-N-290, Class II  
Silver: Per QQ-S-365, Type II, Grade A

## **MECHANICAL**

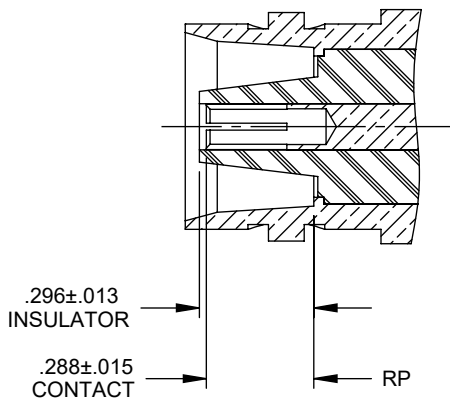
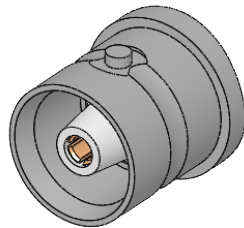
Matting Cycles: 500 min.

## **DESIGN IN ACCORDANCE WITH**

US MIL-PRF-39012, MIL-STD-348  
BE: ES101, ES103

## **JACK INTERFACE**

(FEMALE CONTACT)



## **PLUG INTERFACE**

(MALE CONTACT)

