

GENERAL DESCRIPTION

This medium size connector series is designed for various applications. They feature a 5/8-24 thread coupling mechanism that includes a gasket for weatherproof operations. They operate up to 12Ghz and can withstand rugged environmental conditions. This series can accommodate various coaxial cables, PCB, flange and bulkhead configurations.

MATERIALS

Bodies & Other Parts: Brass per ASTM B16 or equivalent.
 Female Contacts: Beryllium Copper per ASTM B196 or equivalent.
 Male Contacts: Brass per ASTM B16 or equivalent.
 Insulators (Dielectric): PTFE Fluorocarbon per ASTM D1710 or equivalent.
 Gaskets: Silicone Rubber per AA59588 or equivalent.

ELECTRICAL

Impedance: 50 Ohms Nominal
 Frequency Range: DC-12 GHz
 Insulation Resistance: 5,000 Megohms min.
 Voltage Rating: 1,000 VRMS
 Dielectric Withstanding: 2,500 VRMS at sea level
 Voltage Standing Wave Ratio (VSWR): 1.07 + .007 (f) GHz max.
 Contact Resistance:
 Outer Contact: 0.2 Milliohms
 Center Contact: 1.0 Milliohms

ENVIRONMENTAL

Temperature rating: -65°C to +165°C
 Vibration: MIL-STD-202, Method 204
 Shock: MIL-STD-202, Method 213
 Thermal Shock: MIL-STD-202, Method 107
 Corrosion (Salt Spray): MIL-STD-202, Method 101
 Moisture Resistance: MIL-STD-202, Method 106

PLATING OPTIONS

Gold: Per MIL-G-45204, Type II, Grade C
 Nickel: Per QQ-N-290, Class II
 Silver: Per QQ-S-365, Type II, Grade A

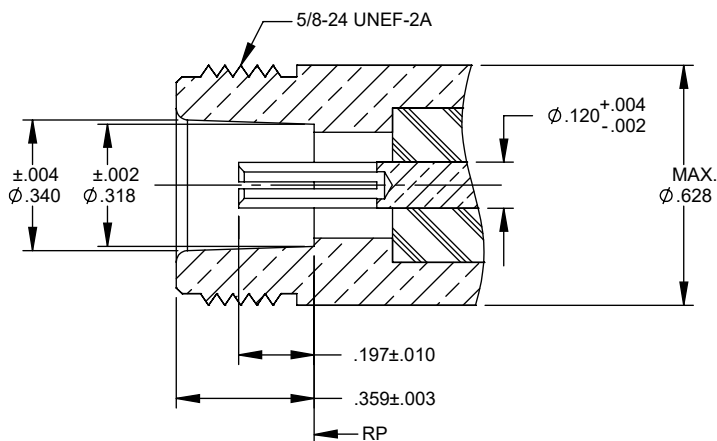
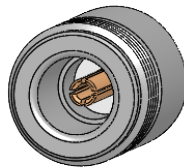
MECHANICAL

Force to Engage and Disengage: Torque, 3 in.- lbs. max.
 Coupling Sleeve Retention Force: 100 lbs. min.
 Coupling Proof Torque: 30 in.- lbs. min.
 Mating Cycles: 500 min.

DESIGN IN ACCORDANCE WITH

US MIL-PRF-39012, MIL-STD-348
 CECC: 22 210
 IEC: 169-16
 BE: ES101, ES103

JACK INTERFACE (FEMALE CONTACT)



PLUG INTERFACE (MALE CONTACT)

