

## GENERAL DESCRIPTION

This miniature connector series is designed to be compatible with the small semi-rigid cables that have very low VSWR at high frequencies. In addition, other connectors in the series can accommodate flexible coaxial cable, PCB, flange, surface, edge and bulkhead configurations. This series has a 1/4-36 screw thread coupling mechanism.

## MATERIALS

Bodies & Other Parts: Brass per ASTM B16 or equivalent.  
 Female Contacts: Beryllium Copper per ASTM B196 or equivalent.  
 Male Contacts: Brass per ASTM B16 or equivalent.  
 Insulators (Dielectric): PTFE Fluorocarbon per ASTM D1710 or equivalent.  
 Gaskets: Silicone Rubber per AA59588 or equivalent.

## ELECTRICAL

Impedance: 50 Ohms Nominal  
 Frequency Range: DC-18 GHz  
 Insulation Resistance: 5,000 Megohms min.  
 Voltage Rating: 335 VRMS  
 Dielectric Withstanding: 1,500 VRMS at sea level  
 Voltage Standing Wave Ratio (VSWR): 1.05 + .05 (f) GHz max.  
 Contact Resistance:  
     Outer Contact: 3.0 Milliohms  
     Center Contact: 2.0 Milliohms

## ENVIRONMENTAL

Temperature rating: -65°C to +165°C  
 Vibration: MIL-STD-202, Method 204  
 Shock: MIL-STD-202, Method 213  
 Thermal Shock: MIL-STD-202, Method 107  
 Corrosion (Salt Spray): MIL-STD-202, Method 101  
 Moisture Resistance: MIL-STD-202, Method 106

## PLATING OPTIONS

Gold: Per MIL-G-45204, Type II, Grade C  
 Nickel: Per QQ-N-290, Class II  
 Silver: Per QQ-S-365, Type II, Grade A

## MECHANICAL

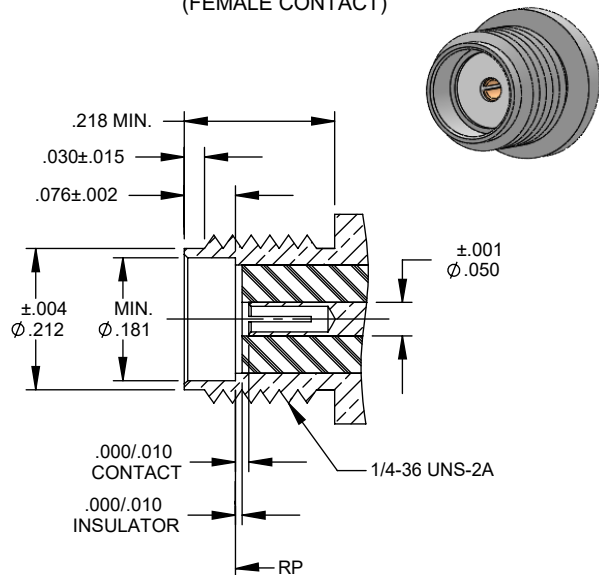
Force to Engage and Disengage: Torque, 2 in.-lbs. max.  
 Coupling Sleeve Retention Force: 60 lbs. min.  
 Coupling Proof Torque: 7 to 10 in.-lbs.  
 Mating Cycles: 250 min.

## DESIGN IN ACCORDANCE WITH

US MIL-PRF-39012, MIL-STD-348  
 CECC: 22 110  
 IEC: 169-15  
 BS9210N0006  
 BE: ES101, ES103

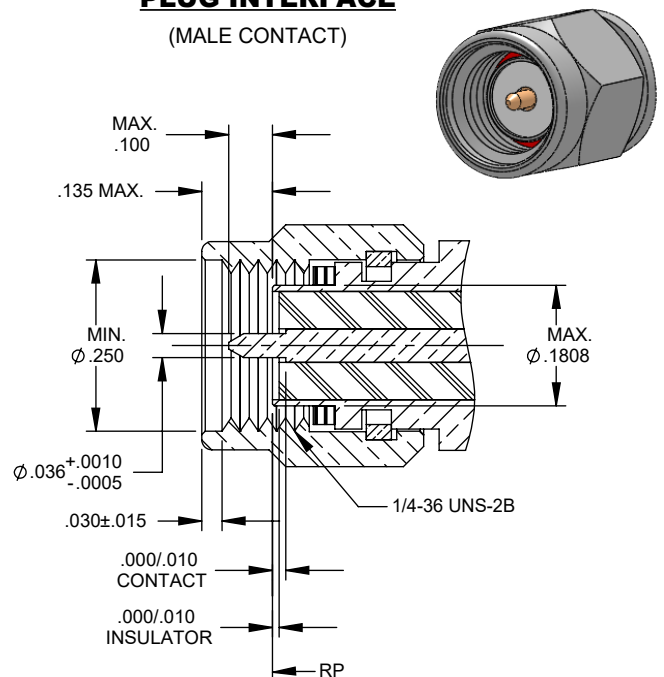
## JACK INTERFACE

(FEMALE CONTACT)



## PLUG INTERFACE

(MALE CONTACT)



## GENERAL DESCRIPTION

This miniature connector series is designed to be compatible with the small semi-rigid cables that have very low VSWR at high frequencies. In addition, other connectors in the series can accommodate flexible coaxial cable, PCB, flange, surface, edge and bulkhead configurations. This series has a 1/4-36 screw thread coupling mechanism.

## MATERIALS

Bodies & Other Parts: Stainless Steel per ASTM A582 or equivalent.  
Female Contacts: Beryllium Copper per ASTB B196 or equivalent.  
Male Contacts: Brass per ASTM B16 or equivalent.  
Insulators (Dielectric): PTFE Fluorocarbon per ASTM D1710 or equivalent.  
Gaskets: Silicone Rubber per AA59588 or equivalent.

## ELECTRICAL

Impedance: 50 Ohms Nominal  
Frequency Range: DC-18 GHz  
Insulation Resistance: 5,000 Megohms min.  
Voltage Rating: 335 VRMS  
Dielectric Withstanding: 1,500 VRMS at sea level  
Voltage Standing Wave Ratio (VSWR): 1.05 + .05 (f) GHz max.  
Contact Resistance:  
Outer Contact: 3.0 Milliohms  
Center Contact: 2.0 Milliohms

## ENVIRONMENTAL

Temperature rating: -65°C to +165°C  
Vibration: MIL-STD-202, Method 204  
Shock: MIL-STD-202, Method 213  
Thermal Shock: MIL-STD-202, Method 107  
Corrosion (Salt Spray): MIL-STD-202, Method 101  
Moisture Resistance: MIL-STD-202, Method 106

## PLATING OPTIONS

Gold: Per MIL-G-45204, Type II, Grade C  
Nickel: Per QQ-N-290, Class II  
Silver: Per QQ-S-365, Type II, Grade A  
Passivate: Per QQ-P-35, Type II

## MECHANICAL

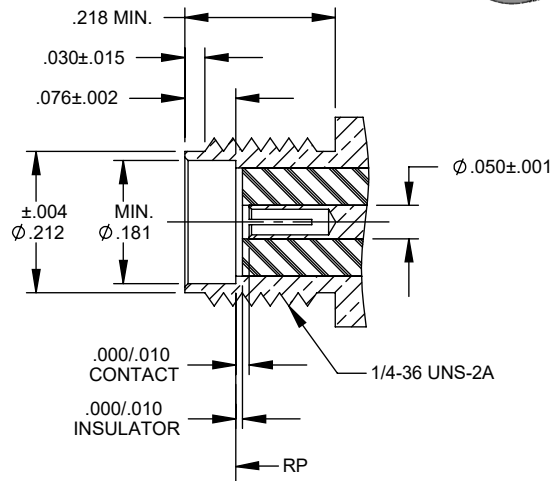
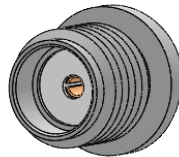
Force to Engage and Disengage: Torque, 2 in.-lbs. max.  
Coupling Sleeve Retention Force: 60 lbs. min.  
Coupling Proof Torque: 7 to 10 in.-lbs.  
Mating Cycles: 500 min.

## DESIGN IN ACCORDANCE WITH

US MIL-PRF-39012, MIL-STD-348  
CECC: 22 110  
IEC: 169-15  
BS9210N0006  
BE: ES101, ES103

### JACK INTERFACE

(FEMALE CONTACT)



### PLUG INTERFACE

(MALE CONTACT)

