

## GENERAL DESCRIPTION

This triaxial connector series was designed primarily to reduce noise levels in systems along with providing an isolated ground. The TRB series has a bayonet locking mechanism as designed on the BNC series (bayonet and lug configurations vary). The TRB series is non-constant impedance and has the appearance of a BNC but incorporates a third conductor. This series also has a state of the art clamping construction and weatherproof sealing features which ensures excellent termination to various twinaxial and triaxial cables.

## MATERIALS

Bodies & Other Parts: Brass per ASTM B16 or equivalent.  
Female Contacts: Beryllium Copper per ASTM B196 or equivalent.  
Male Contacts: Brass per ASTM B16 or equivalent.  
Insulators (Dielectric): PTFE Fluorocarbon per ASTM D1710 or equivalent.  
Gaskets: Silicone Rubber per AA59588 or equivalent.

## ELECTRICAL

Impedance: Non-Constant  
Frequency Range: 500 MHz  
Insulation Resistance: 5,000 Megohms min.  
Voltage Rating: 400 VRMS  
Dielectric Withstanding: 1,200 VRMS at sea level  
Contact Resistance:  
Center Contact: 5.0 Milliohms  
Intermediate Contact: 0.5 Milliohms  
Outer Contacts: 0.5 Milliohms

## ENVIRONMENTAL

Temperature rating: -65°C to +165°C  
Vibration: MIL-STD-202, Method 204  
Shock: MIL-STD-202, Method 213  
Thermal Shock: MIL-STD-202, Method 107  
Corrosion (Salt Spray): MIL-STD-202, Method 101  
Moisture Resistance: MIL-STD-202, Method 106

## PLATING OPTIONS

Gold: Per MIL-G-45204, Type II, Grade C  
Nickel: Per QQ-N-290, Class II  
Silver: Per QQ-S-365, Type II, Grade A

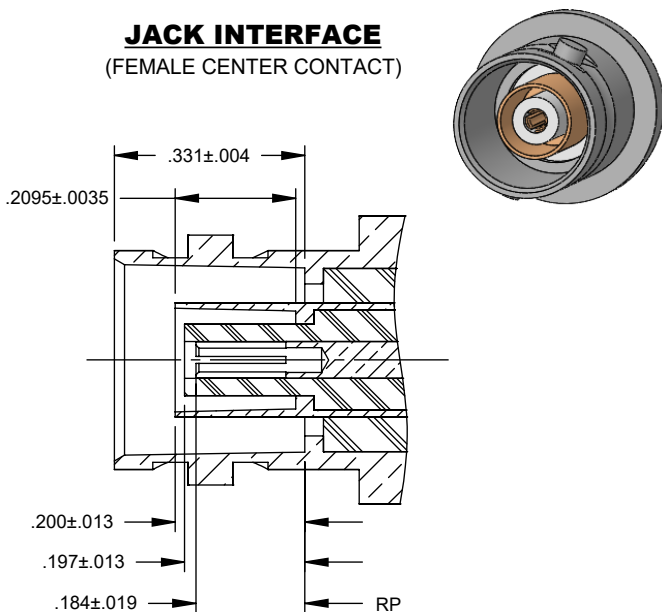
## MECHANICAL

Cable retention: .200-.325 OD: 40 lbs. min.  
Center Contact Retention: 6 lbs. min., axial force  
Mating Cycles: 500 min.

## DESIGN IN ACCORDANCE WITH

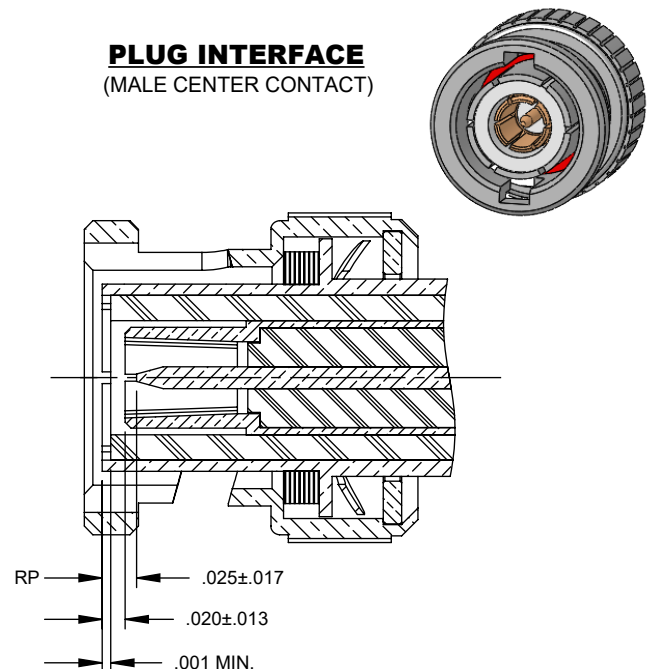
US MIL-PRF-49142  
US MIL-STD-348  
BE: ES101, ES103

### JACK INTERFACE (FEMALE CENTER CONTACT)



NOTES:  
1. ILLUSTRATION REFLECTS A (2) LUG DESIGN FOR REFERENCE. OTHER CONFIGURATIONS ARE AVAILABLE.

### PLUG INTERFACE (MALE CENTER CONTACT)



NOTES:  
1. ILLUSTRATION REFLECTS A (2) LUG DESIGN FOR REFERENCE. OTHER CONFIGURATIONS ARE AVAILABLE.