

GENERAL DESCRIPTION

This triaxial connector series was designed primarily to reduce noise levels in systems along with providing an isolated ground. The TRT series has a 7/16-28 thread coupling mechanism as designed on the TNC series. The TRT series is non-constant impedance and has the appearance of a TNC but incorporates a third conductor. This series also has a state of the art clamping construction and weatherproof sealing features which ensures excellent termination to various twinaxial and triaxial cables.

MATERIALS

Bodies & Other Parts: Brass per ASTM B16 or equivalent.
Female Contacts: Beryllium Copper per ASTM B196 or equivalent.
Male Contacts: Brass per ASTM B16 or equivalent.
Insulators (Dielectric): PTFE Fluorocarbon per ASTM D1710 or equivalent.
Gaskets: Silicone Rubber per AA59588 or equivalent.

ELECTRICAL

Impedance: Non-Constant
Frequency Range: 500 MHz
Insulation Resistance: 5,000 Megohms min.
Voltage Rating: 400 VRMS
Dielectric Withstanding: 1,200 VRMS at sea level
Contact Resistance:
Center Contact: 5.0 Milliohms
Intermediate Contact: 0.5 Milliohms
Outer Contacts: 0.5 Milliohms

ENVIRONMENTAL

Temperature rating: -65°C to +165°C
Vibration: MIL-STD-202, Method 204
Shock: MIL-STD-202, Method 213
Thermal Shock: MIL-STD-202, Method 107
Corrosion (Salt Spray): MIL-STD-202, Method 101
Moisture Resistance: MIL-STD-202, Method 106

PLATING OPTIONS

Gold: Per MIL-G-45204, Type II, Grade C
Nickel: Per QQ-N-290, Class II
Silver: Per QQ-S-365, Type II, Grade A

MECHANICAL

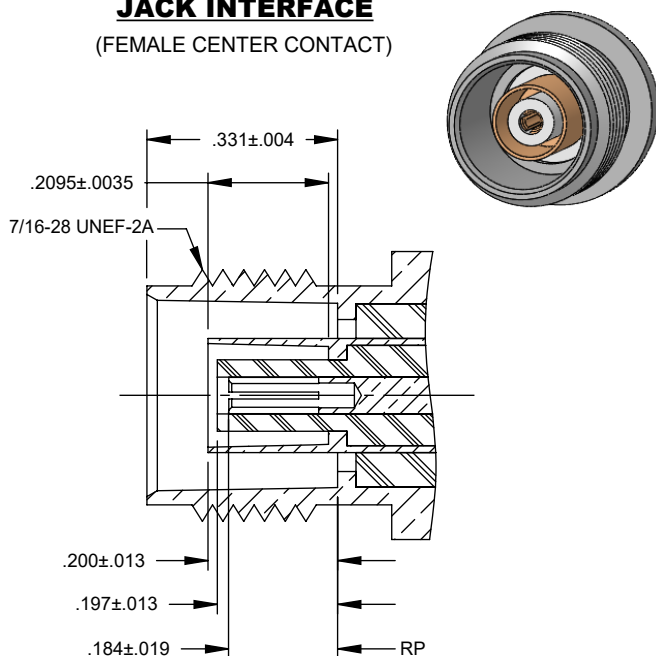
Cable retention: .200-.325 OD: 40 lbs. min.
Center Contact Retention: 6 lbs. min., axial force
Mating Cycles: 500 min.

DESIGN IN ACCORDANCE WITH

US MIL-PRF-49142
US MIL-STD-348
BE: ES101, ES103

JACK INTERFACE

(FEMALE CENTER CONTACT)



PLUG INTERFACE

(MALE CENTER CONTACT)

